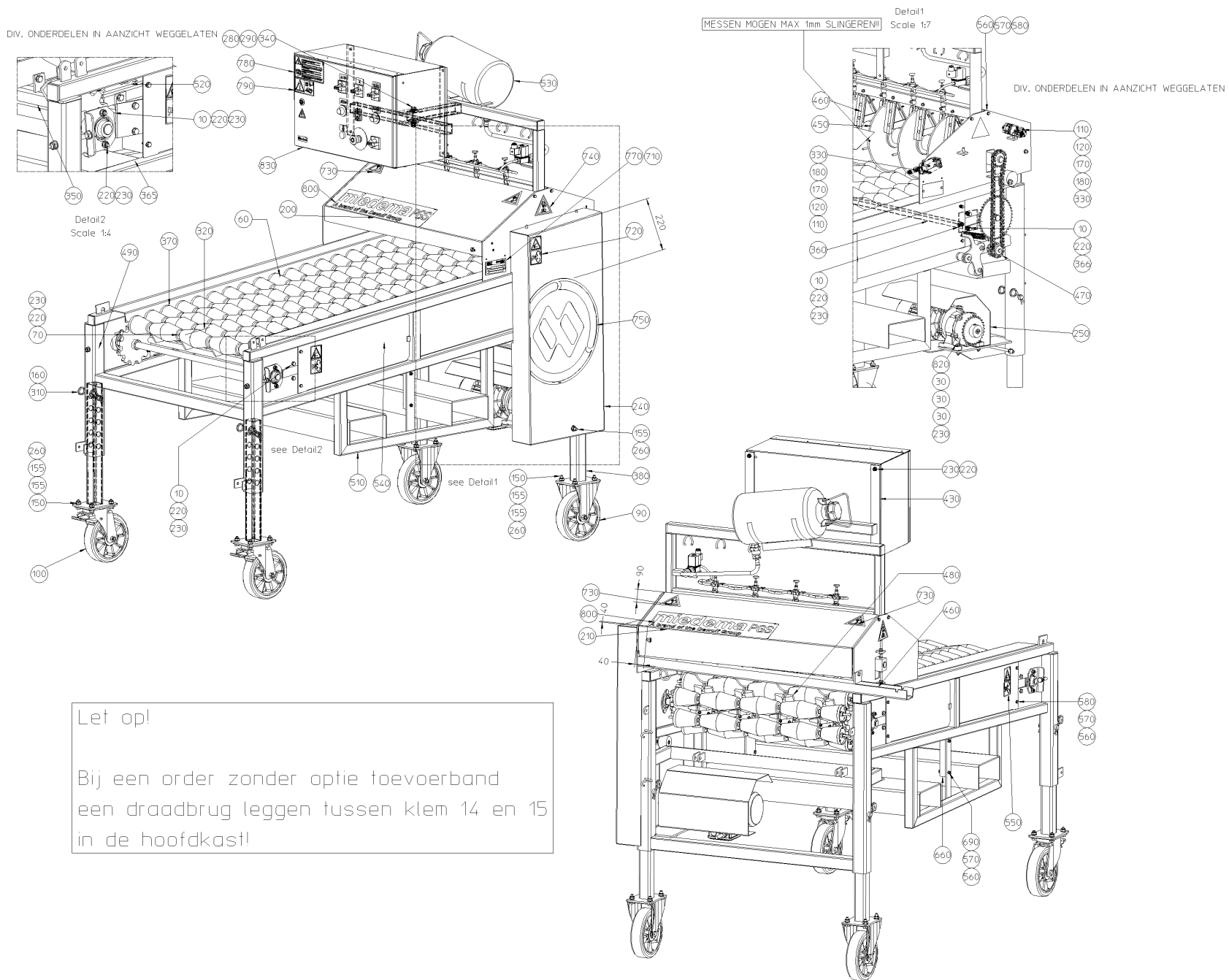


Table of Contents - 27.07.2022 (dd.mm.yyyy)

10908130 Spare parts catalog PGS 4	2
31020254 Base seed potato cutter PGS 4	4
E9001310 Assembly group PGS limit switch.....	8
31020604 Singulator roller PGS	10
31025918 Shaft with knives.....	12
31026415 Brushes and scrapers.....	14
31025331 Roller conveyor drive complete	16
31013321 Duplex chain wheel 1/2"x5/16" z=13	18
31012420 Tensioner frame PGS	20
E0000010 Wiring diagram shaft mounted motor	22
E9002114 Cable assembly SPC cutting blades	24
31025310 Drive shaft assy	26
31025604 Ejector star complete PGS	28
31025317 Return shaft	30
31010633 Support	32
31026117 Desinfection lines assy	34
11115360 Base seed potato cutter PGS 4 extended	36
10083750 Support	40
E9007810 Cable assembly incoming supply 16A.....	42
11253480 Switchbox 200-220V / 50Hz / 3~ PGS.....	44
E2002501 Switchbox transformer 8.5kVA 200-240V 50/60Hz	46
E5019710 Cable assembly power supply loop cable	50
31020101 Input conveyor	52
31021805 Return roller	56
31026001 Discharge belt drive.....	58
E9002113 Cable assembly SPC elevator.....	60
A9005610 Stainless sliding gutters PGS.....	62
10885860 Discharge conveyor with Powder applicator	64
E9002112 Assembly group PGS powder applicator.....	68
11178300 Discharge conveyor without Powder applicator	70
10963180 Chain with option discharge conveyor	72
10963190 Chain without option discharge conveyor	74
10941070 Set of (extra) circle knives for PGS (4x)	76
Index	78

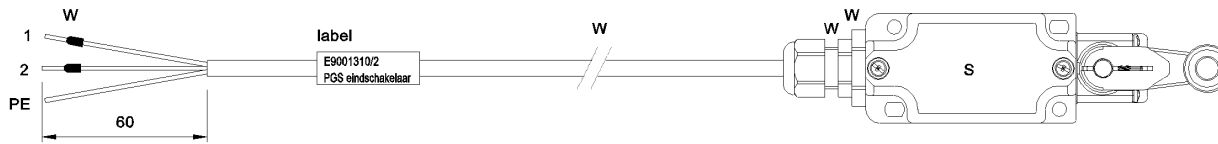
Pos	item	Article no.	Qty.	Description [EN]	Description [NL]
10		31020254	1	<u>Base seed potato cutter PGS 4</u>	Basis pootgoedsnijder PGS 4
20		11115360	1	<u>Base seed potato cutter PGS 4 extended</u>	Basis pootgoedsnijder PGS 4 verlengd
30		E9007810	1	<u>Cable assembly incoming supply 16A</u>	Kabelgroep ingaande voeding 16A
40		11253480	1	<u>Switchbox 200-220V / 50Hz / 3~ PGS</u>	Schakelkast 200-220V / 50Hz / 3~ PGS
50		31020101	1	<u>Input conveyor</u>	Aanvoergedeelte
60		10885860	1	<u>Discharge conveyor with Powder applicator</u>	Afvoergedeelte met poederdoseerapparaat
70		11178300	1	<u>Discharge conveyor without Powder applicator</u>	Afvoergedeelte zonder poederdoseerapparaat
80		10963180	1	<u>Chain with option discharge conveyor</u>	Ketting bij optie afvoergedeelte
90		10963190	1	<u>Chain without option discharge conveyor</u>	Ketting zonder optie afvoergedeelte
100		10941070	1	<u>Set of (extra) circle knives for PGS (4x)</u>	Set (extra) cirkelmessen voor PGS (4x)



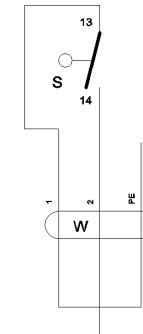
Pos	item	Article no.	Qty.	Description [EN]	Description [NL]
10		100120	10	Tap bolt M 8x 20 8.8 galv	Tapbout M 8x 20 8.8 elvz
30		200363	10	Washer M 8 3xd1 galv	Sluitring M 8 3xd1 elvz
60		108611	2	Hollow pin chain 41,75 84 links galv +conn. link	Holleboutketting 41,75 84 sch. elvz
70		100121	18	Tap bolt M 8x 25 8.8 galv	Tapbout M 8x 25 8.8 elvz
90		206000	2	Fixed castor ø200 polyurethaan	Bokwiel ø200 polyurethaan 700kg
100		205997	2	Swivel wheel braked ø200 polyurethaan 700kg	Zwenkwiel geremd ø200 polyurethaan 700kg
110		100714	4	Nut M 4 brass	Moer M 4 messing
120		202933	4	Slotted cheese head screw M 4x 55 4.8 galv	Cilinderkopschroef M 4x 55 4.8 elvz
150		100154	16	Tap bolt M10x 30 8.8 galv	Tapbout M10x 30 8.8 elvz
155		102005	35	Washer M10 galv	Sluitring M10 elvz
160		104102	8	Spring cotter pin double 4.5 (=4mm) galv	Borgveer dubbel 4.5 (=4mm) elvz
170		102080	4	Serrated lock washer M 4 galv	Tandveerring M 4 buitenvertanding elvz
180		E9001310	2	<u>Assembly group PGS limit switch</u>	Montagegroep PGS eindschakelaar
200		31026201	1	Cover knives front	Deksel snijmessen voor
210		31026301	1	Cover knives rear	Deksel snijmessen achter
220		102004	61	Washer M 8 galv	Sluitring M 8 elvz
230		100652	36	Nyloc nut M 8 kl.8 galv	Nylocmoer M 8 kl.8 elvz
240		31024501	1	Cover plate drive	Afschermkap hoofdaandrijving
250		11221750	1	Cover plate drive motor	Afschermkap aandrijfmotor
260		100653	17	Nyloc nut M10 kl.8 galv	Nylocmoer M10 kl.8 elvz
280		100407	1	Bolt M12x 70 8.8 galv	Bout M12x 70 8.8 elvz
290		100654	1	Nyloc nut M12 kl.8 galv	Nylocmoer M12 kl.8 elvz
310		31010604	4	Locking pin	Borgpen
320		31010421	4	Strip PGS	Strip PGS
330		102001	4	Washer M 4 galv	Sluitring M 4 elvz
340		102006	2	Washer M12 galv	Sluitring M12 elvz
350		31024704	1	Support profile front	Steunprofiel voor
360		31025104	1	Support profile rear	Steunprofiel achter
365		31025003	1	Mouning plate front	Aanboutplaat voor
366		31025203	1	Mouning plate rear	Aanboutplaat achter
370		31020604	42	<u>Singulator roller PGS</u>	Rol PGS 4-r
380		31010603	4	Support leg PGS	Poot PGS
430		A9006891	1	Switchbox mounting frame	Ophanging schakelkast
450		31025918	1	<u>Shaft with knives</u>	As met snijmessem
460		31026415	1	<u>Brushes and scrapers</u>	Bev. borstels + schrapers

Pos	item	Article no.	Qty.	Description [EN]	Description [NL]
470		31025331	1	Roller conveyor drive complete	Rollenbaan aandrijving compleet
480		31025310	1	Drive shaft assy	Aandrijfvas compleet
490		31025317	1	Return shaft	Keeras compleet
510		31020942	1	Roller conveyor frame	Rollenbaanframe
520		31010633	2	Support	Loopbaan compleet
530		31026117	1	Desinfection lines assy	Leidingwerk ontsmetten
540		A9001172	2	Cover plate right	Afschermplaat rechts
550		A9001182	2	Cover plate right	Afschermplaat links
560		100651	16	Nyloc nut M 6 kl.8 galv	Nylocmoer M 6 kl.8 elvz
570		102003	32	Washer M 6 galv	Sluitring M 6 elvz
580		100106	12	Tap bolt M 6x 20 8.8 galv	Tapbout M 6x 20 8.8 elvz
660		A9005510	2	Sliding block	Glij-blok
690		100343	4	Bolt M 6x 45 8.8 galv	Bout M 6x 45 8.8 elvz
710		103330	2	Blind rivet 4.0x12 dh al/st	Popnagel 4.0x12 pbk al/st
720		122250	3	Safety sticker guard	Veiligheidssticker beschermkap
730		36160303	4	Safety sticker cutting knives	Veiligheidssticker 'mes in hand'
740		A0009760	2	Sticker PGS	Sticker PGS
750		11060230	1	Sticker logo round 432	Sticker logo rond 432
770		A0002830	1	PIN plate MACHINE No.	Typeplaat (standaard)
780		122248	1	Safety sticker general	Veiligheidssticker algemeen
790		122254	1	Safety sticker electric	Veiligheidssticker elektrisch
800		11060180	2	Sticker Miedema PGS	Sticker Miedema PGS
820		100359	4	Bolt M 8x 40 8.8 galv	Bout M 8x 40 8.8 elvz
830		E9007801	1	Switchbox Seed potato cutter	Schakelkast Pootgoedsnijder

0	1	2	3	4	5	6	7	8	9	10	1	2	3	4	5	6	7	8	9
---	---	---	---	---	---	---	---	---	---	----	---	---	---	---	---	---	---	---	---



INTREKEINDSCHAKELAAR



4.0	ST	W	Adereindhuls 0,75mm ² grijs	200179
2.2	MT	W	Kabel PVC 3G0,75mm ²	206419
1.0	ST	W	Reducering M20/16 kunststof zwart	201874
1.0	ST	W	Wurgwartel M16 kunststof zwart 4,5-10mm	201799
1.0	ST	S	Eindschakelaar rolbediend NC/NO	200467



Copyright © Miedema B.V.

Miedema

eng.: PWA	1	18-11-2009
d.d.: 22-03-2003	2	23-11-2021
scl.: 1 : 2,5		

Gewijzigd: aderkleur blauw wordt grijs van kabel W

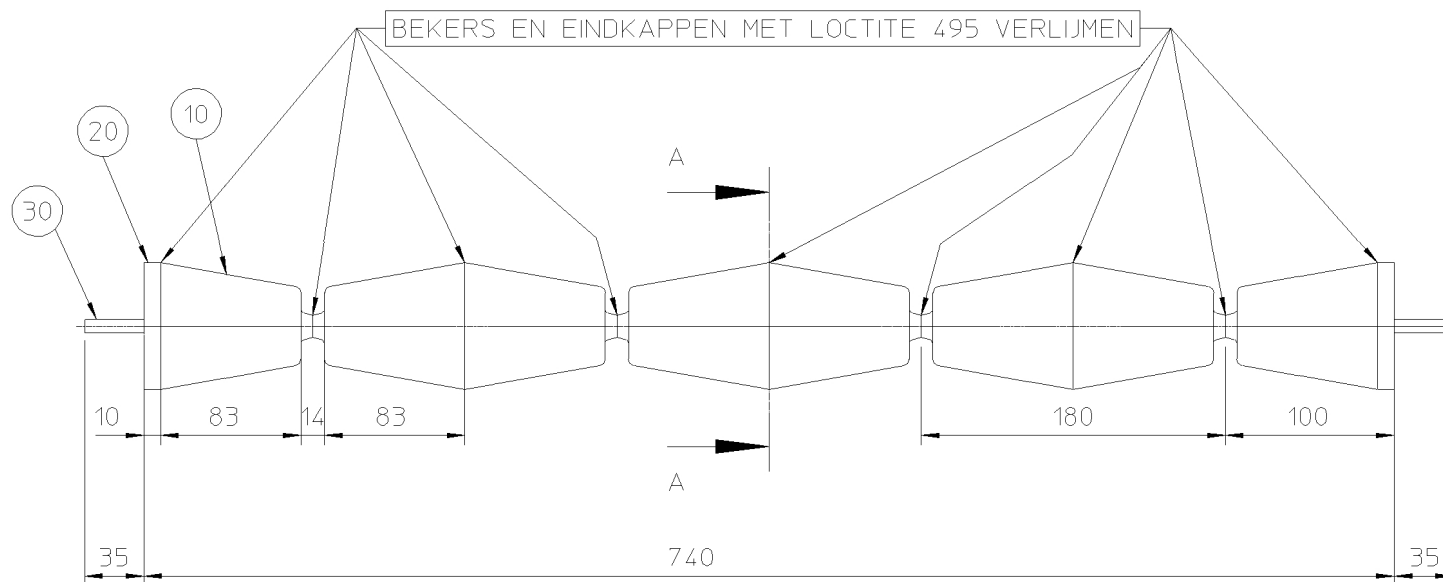
Gewijzigd: kabel van VMML 4x1 => PVC 3G0,75

PGS eindschakelaar

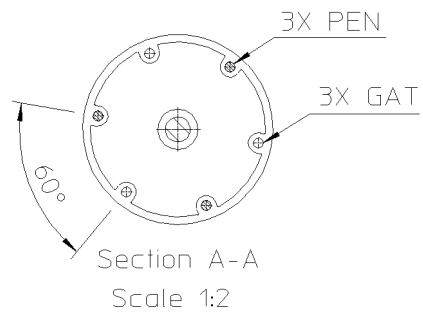
montagegroep

form.: A4	page: 1 of 1
doc.: E900 1310/2	
art.: E900 1310	

Pos	item	Article no.	Qty.	Description [EN]	Description [NL]
10	S	200467	1	Limit switch with roller lever NC/NO	Eindschakelaar rolbediend NC/NO
20	W	201799	1	Gland M16 plastic black 4.5-10mm	Wurgwartel M16 kunststof zwart 4,5-10mm
30	W	201874	1	Reducing M20/16 plastic black	Reducering M20/16 kunststof zwart
40	W	206419	2.2	Cable PVC 3G0.75mm ²	Kabel PVC 3G0,75mm ²
50	W	200179	4	Ferrule 0.75mm ² grey	Adereindhuls 0,75mm ² grijs

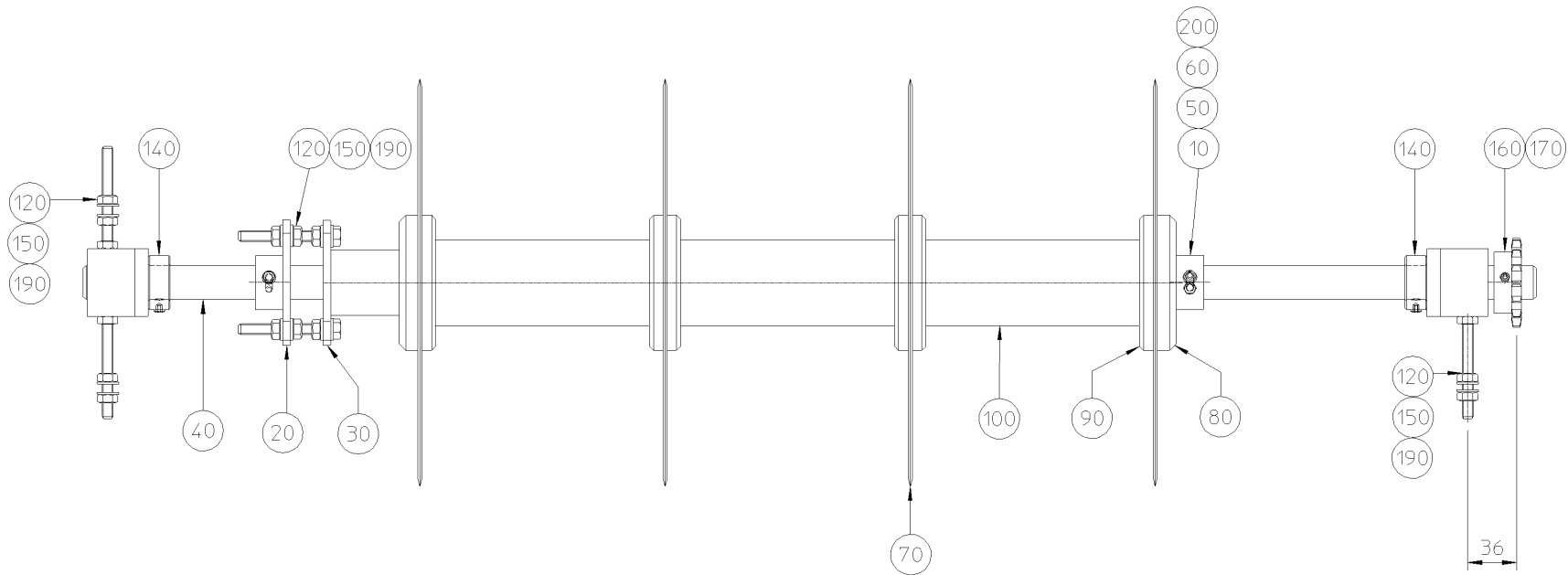
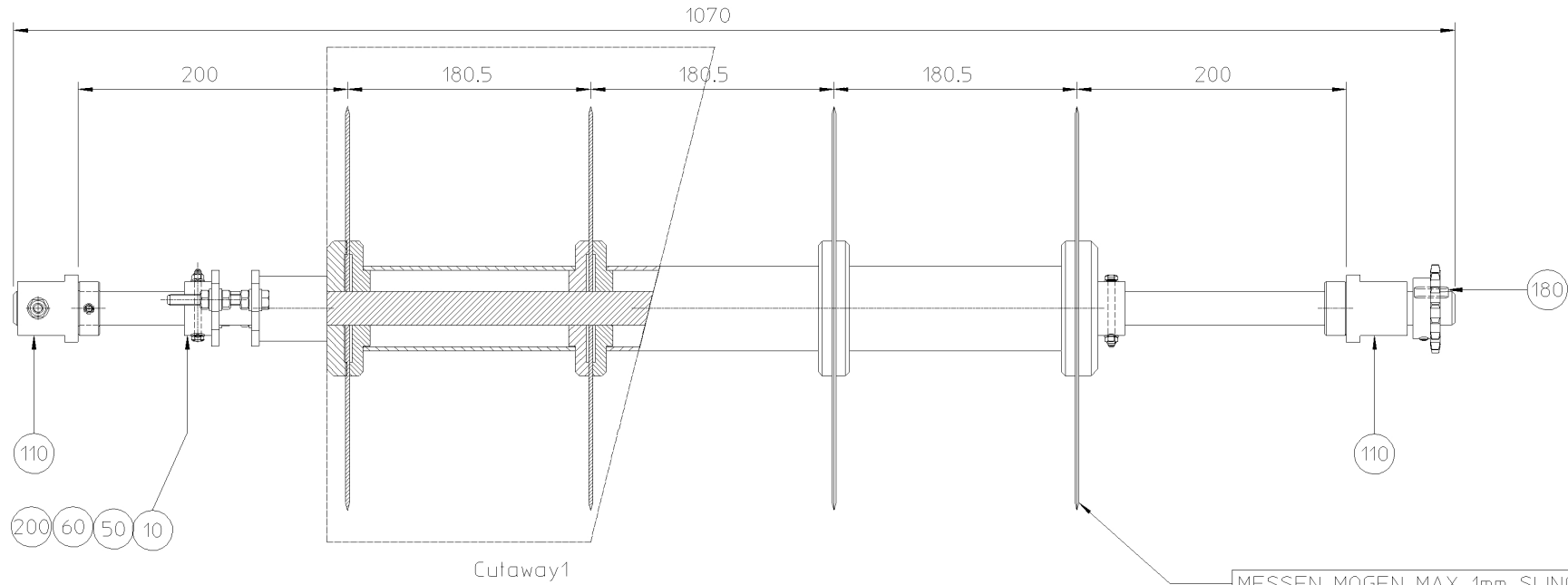


Pos 10 en 20 enigszins klemmend monteren.
Indien nodig gat rond 10 opboren

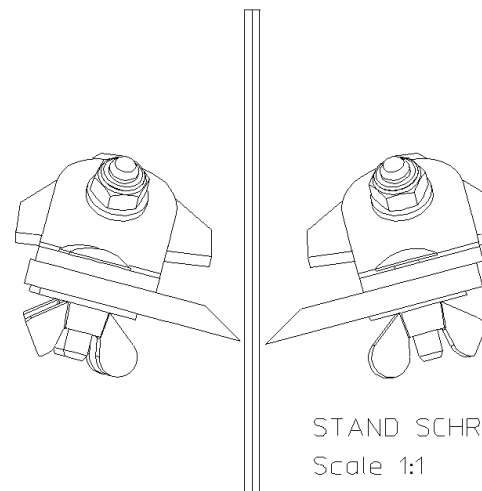
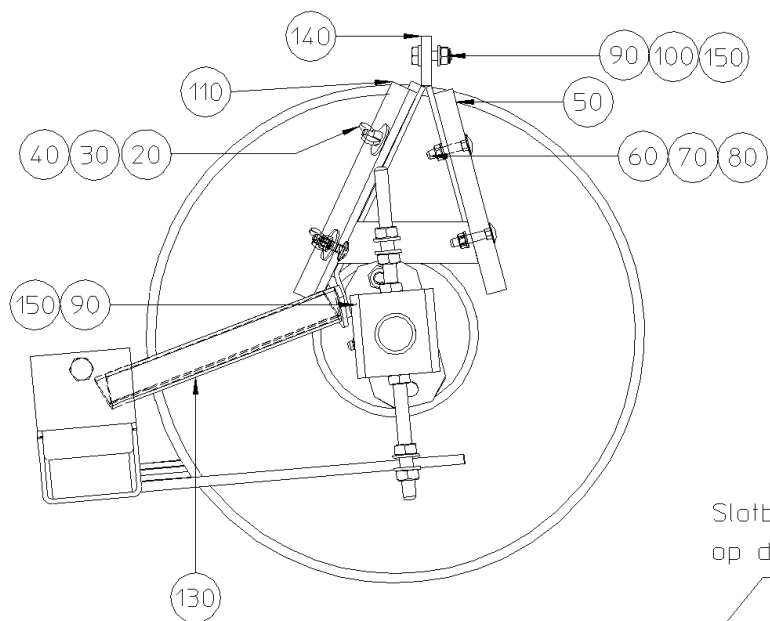


Pos	item	Article no.	Qty.	Description [EN]	Description [NL]
10		120905	8	Roller cup for PGS	Rolbeker PGS
20		31010419	2	Cover	Deksel
30		31020701	1	Stainless steel shaft	As rnd 10 lg 810 rvs PGS

31025918 - Shaft with knives

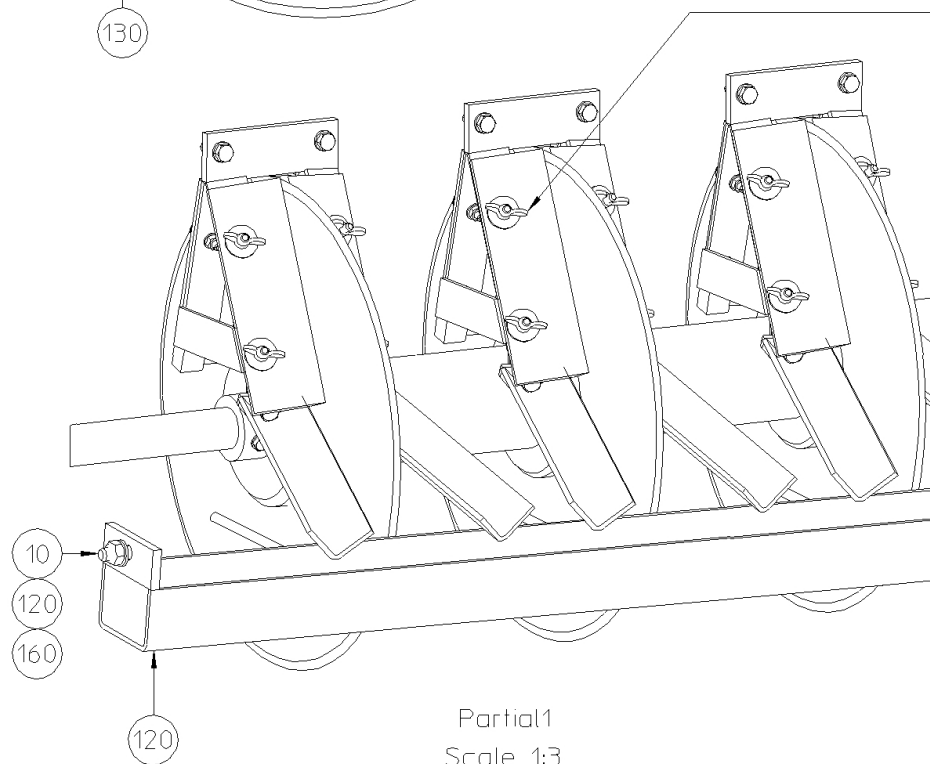


Pos	item	Article no.	Qty.	Description [EN]	Description [NL]
10		31010107	1	Locking ring	Borgring
20		31013014	1	Adjusting plate	Stelplaat
30		31013013	1	Pushbar	Drukstuk
40		31025701	1	Shaft for cutting knives	As tbv snijmessen
50		100329	2	Bolt M 5x 50 8.8 galv	Bout M 5x 50 8.8 elvz
60		100650	2	Nyloc nut M 5 kl.8 galv	Nylocmoer M 5 kl.8 elvz
70		118600	4	Circle knife (spare part)	Cirkelmes (extra mes)
80		31010110	2	Pressure disc	Drukschijf
90		31010111	6	Nylon disc	Nylonschijf
100		31010112	3	Spacer bush	Afstandsbus
110		31013003	2	Nylon block	Nylonblokje
120		100623	12	Nut M 8 kl.8 galv	Moer M 8 kl.8 elvz
140		102229	2	Adjusting ring 25x40x16	Stelring 25x40x16
150		100130	5	Tap bolt M 8x 70 8.8 galv	Tapbout M 8x 70 8.8 elvz
160		101010	1	Set screw M 6x10 hex socket kl.45H galv	Stelschroef M 6x10 bzk kl.45H elvz
170		108048	1	Chain wheel 1/2"x5/16" z=15	Kettingwiel 1/2"x5/16" z=15
180		103246	1	Parallel key 8x 7- 25	Vlakke inlegspie 8x 7- 25
190		102004	14	Washer M 8 galv	Sluitring M 8 elvz
200		102002	4	Washer M 5 galv	Sluitring M 5 elvz



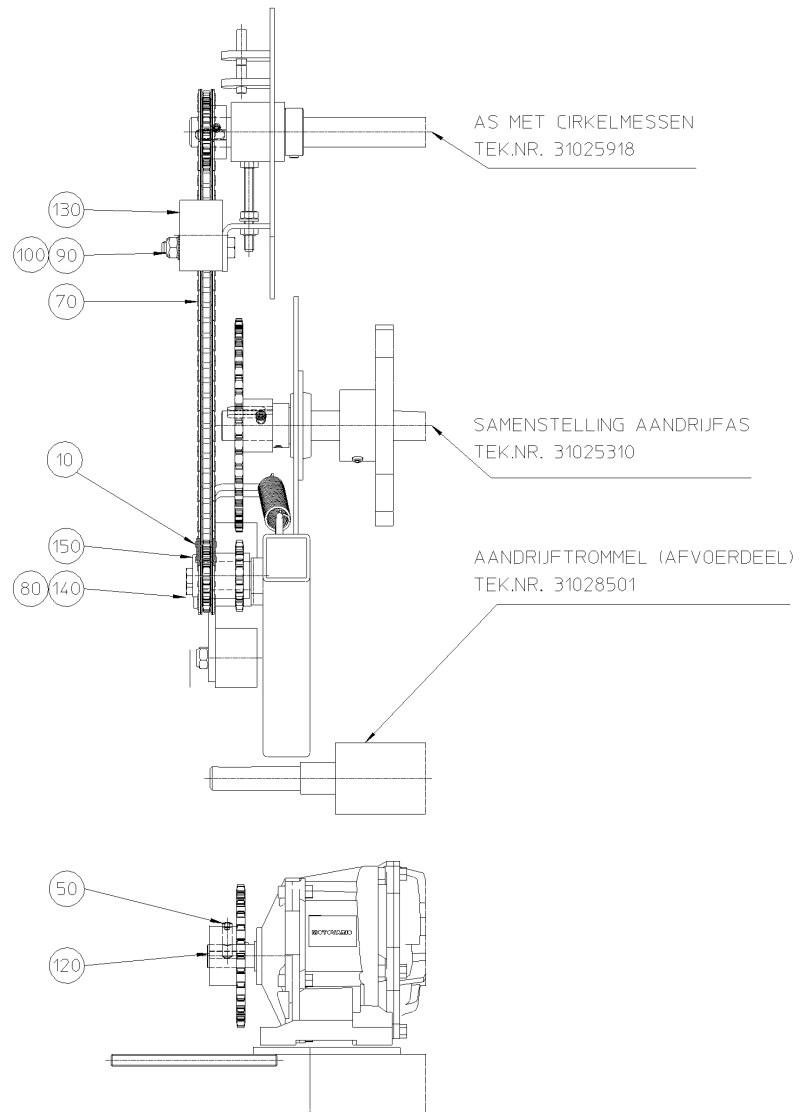
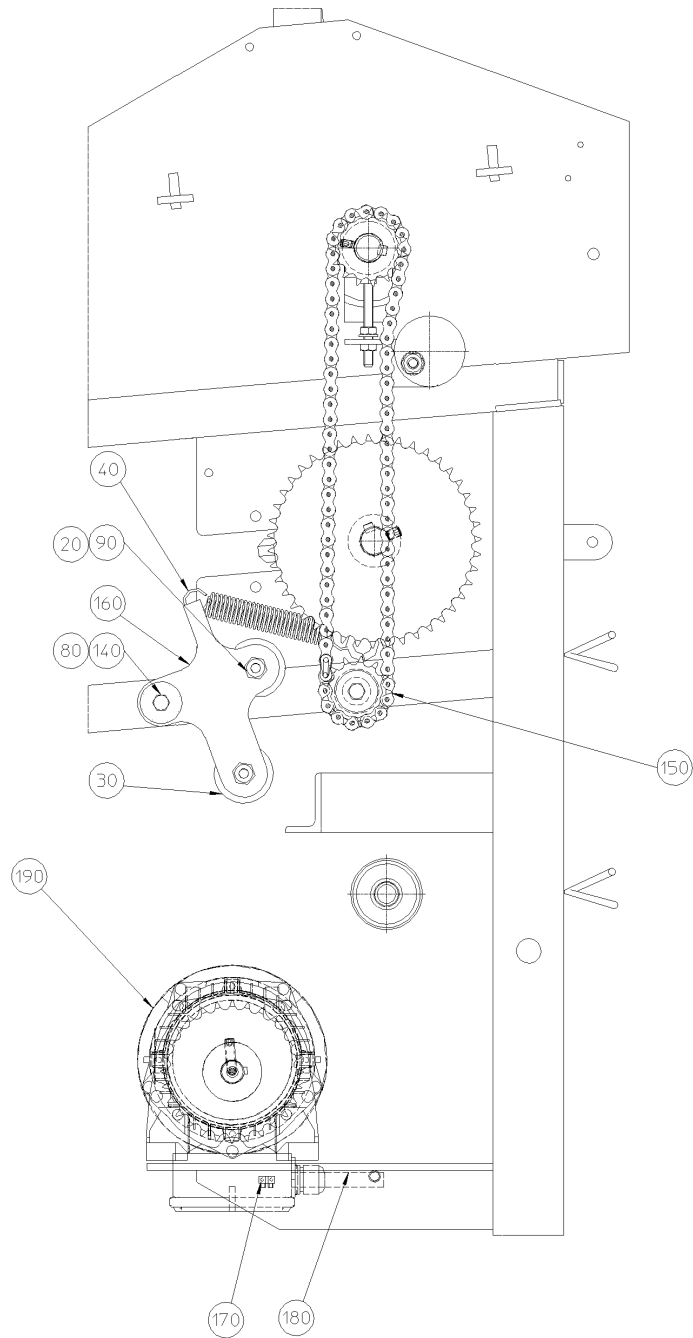
STAND SCHRAPERS
Scale 1:1

Slotboutjes en vleugelmoeren
op deze manier monteren

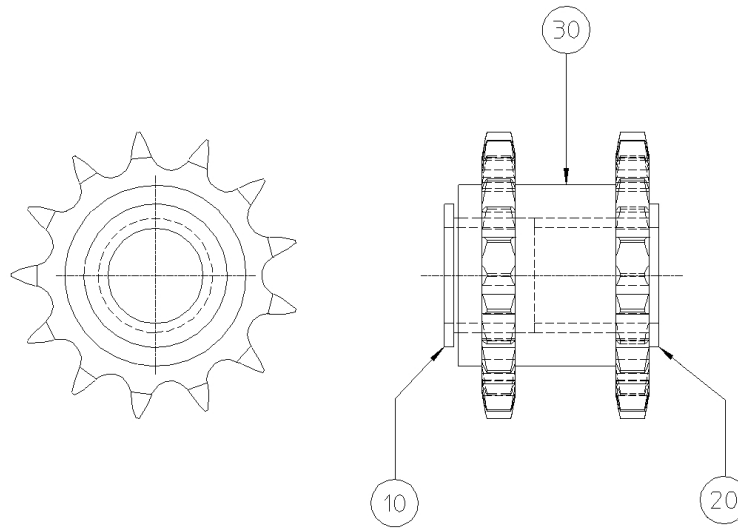


Partial1
Scale 1:3

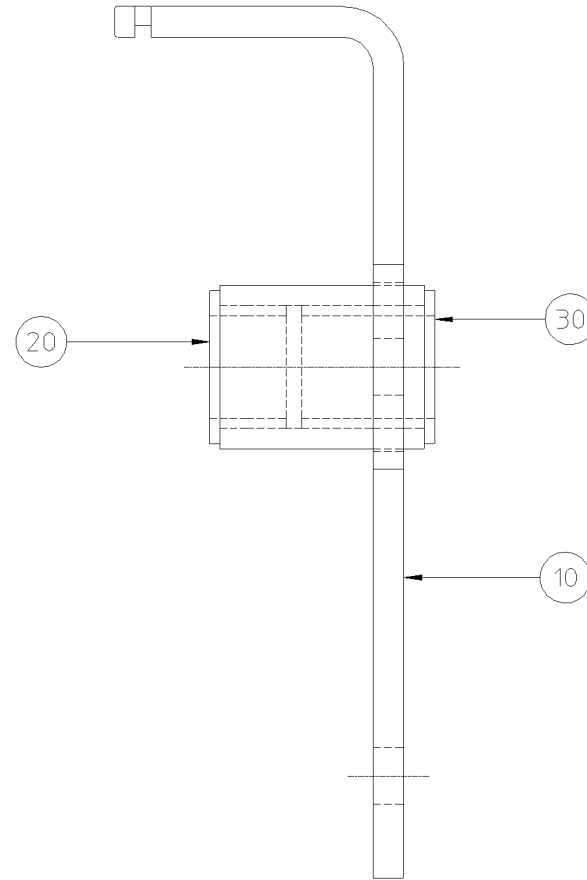
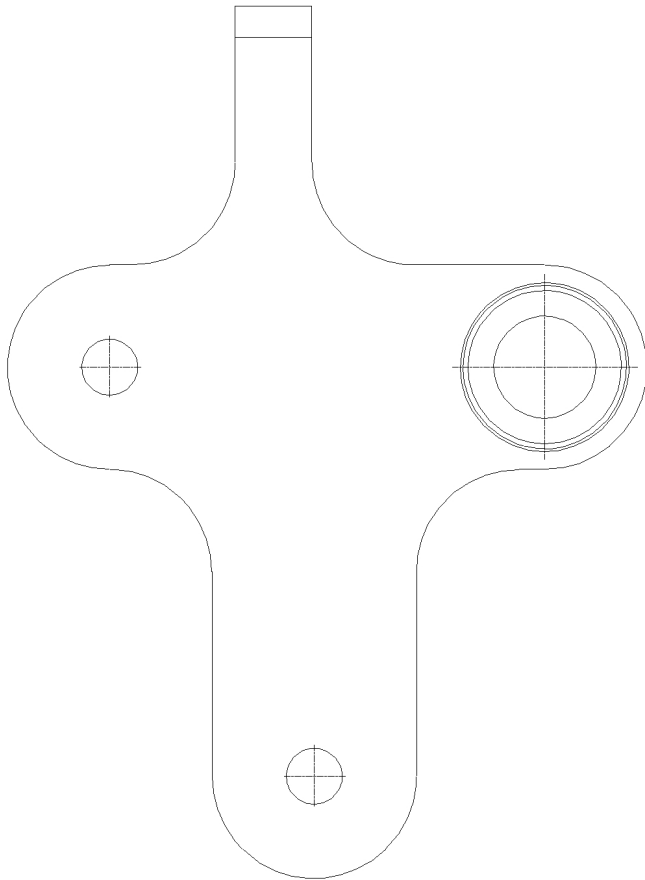
Pos	item	Article no.	Qty.	Description [EN]	Description [NL]
10		100652	2	Nyloc nut M 8 kl.8 galv	Nylocmoer M 8 kl.8 elvz
20		100002	16	Mushroom head bolt M 5x 20 8.8 galv	Slotbout M 5x 20 8.8 elvz
30		102034	16	Mudwing repair washer M 5x20 galv	Carrosseriering M 5x20 elvz
40		100692	16	Wing nut M 5 GT galv	Vleugelmoer M 5 GT elvz
50		118602	8	Brush pvc 2 rows horsehair	Borstellat twee rijen paardehaar
60		100003	16	Mushroom head bolt M 5x 25 8.8 galv	Slotbout M 5x 25 8.8 elvz
70		102002	16	Washer M 5 galv	Sluitring M 5 elvz
80		100621	16	Nut M 5 kl.8 galv	Moer M 5 kl.8 elvz
90		100651	16	Nyloc nut M 6 kl.8 galv	Nylocmoer M 6 kl.8 elvz
100		100106	8	Tap bolt M 6x 20 8.8 galv	Tapbout M 6x 20 8.8 elvz
110		31011408	8	Scraper PGS	Schraper PGS
120		31023903	1	Gutter frame	Afvoergoot + afstrijkers
130		31011414	8	Gutter	Gootje
140		31011407	4	Support frame	Ophangframe
150		102003	24	Washer M 6 galv	Sluitring M 6 elvz
160		102004	2	Washer M 8 galv	Sluitring M 8 elvz



Pos	item	Article no.	Qty.	Description [EN]	Description [NL]
10		108461	1	Connecting link 1/2"x5/16"	Sluitschakel 1/2"x5/16"
20		101142	2	Allen bolt M10x 40 8.8 galv	Inbusbout M10x 40 8.8 elvz
30		31012421	2	Nylon roller	Nylonrol
40		104040	1	Tension spring 100x20x2	Trekveer 100x20x2 n=30.5
50		101025	1	Set screw M 8x30 hex socket kl.45H galv	Stelschroef M 8x30 bzk kl.45H elvz
70		108518	1	Roller chain 1/2"x5/16" 71 links	Rollenketting 1/2"x5/16" 71 sch.
80		100119	2	Tap bolt M 8x 16 8.8 galv	Tapbout M 8x 16 8.8 elvz
90		100653	3	Nyloc nut M10 kl.8 galv	Nylocmoer M10 kl.8 elvz
100		102084	1	Serrated lock washer M10 galv	Tandveerring M10 buitenvertanding elvz
120		11258820	1	Chain wheel 1/2"x5/16" z=28 d=20	Kettingwiel 1/2"x5/16" z=28 d=20
130		31013323	1	Block	Blok
140		07131816	2	Ring ø35.5 / 9 - 6	Ring ø35,5/9 - 6
150		31013321	1	Duplex chain wheel 1/2"x5/16" z=13	Duplex kettingwiel 1/2"x5/16" z=13
160		31012420	1	Tensioner frame PGS	Spannerframe PGS
170		E0000010	1	Wiring diagram shaft mounted motor	Aansluitschema opsteekmotor
180		E9002114	1	Cable assembly SPC cutting blades	Kabelgroep PGS messen
190		11259000	1	Foot mounted motor 0.55kW 44rpm	Voetmotor 0.55kW 44rpm as20x40

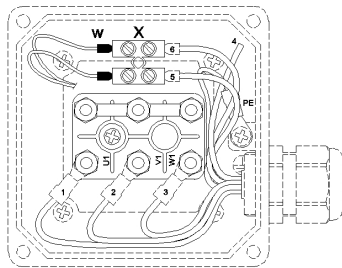
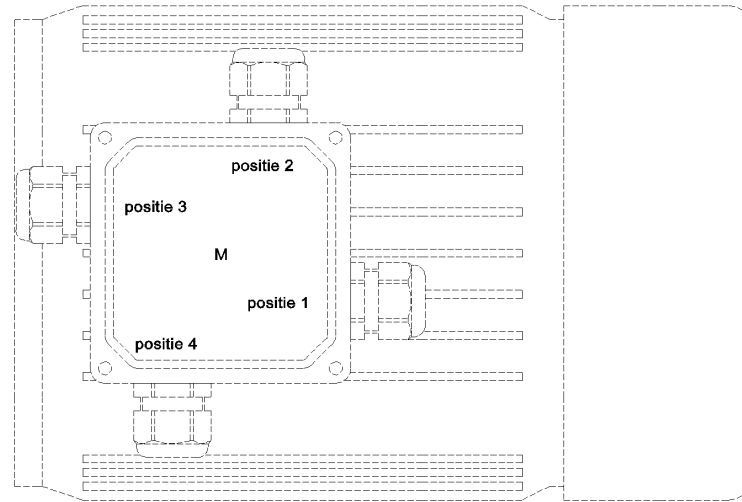
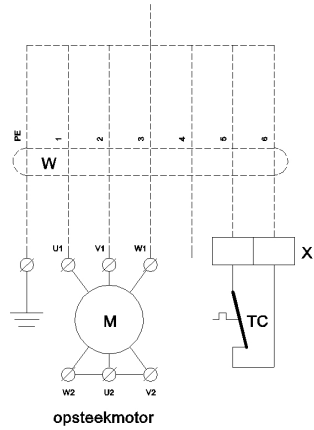


Pos	item	Article no.	Qty.	Description [EN]	Description [NL]
10		121223	1	Bearing Bush with collar 20x24x15 nylon	Lagerbus met kraag 20x24x15 nylon
20		114509	1	Bearing Bush with collar 20x24x26 nylon	Lagerbus met kraag 20x24x26 nylon
30		31013318	1	Duplex chain wheel 1/2"x5/16" z=13	Duplex kettingwiel 1/2"x5/16" z=13

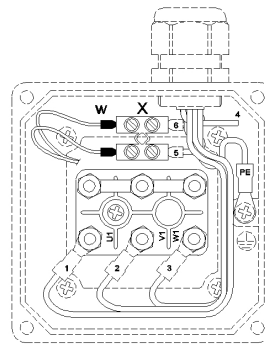


Pos	item	Article no.	Qty.	Description [EN]	Description [NL]
10		310124A	1	Tensioner frame	Spannerframe
20		121223	1	Bearing Bush with collar 20x24x15 nylon	Lagerbus met kraag 20x24x15 nylon
30		114509	1	Bearing Bush with collar 20x24x26 nylon	Lagerbus met kraag 20x24x26 nylon

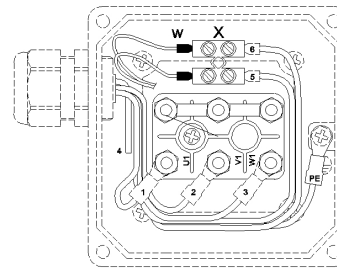
0	1	2	3	4	5	6	7	8	9	10	1	2	3	4	5	6	7	8	9
---	---	---	---	---	---	---	---	---	---	----	---	---	---	---	---	---	---	---	---



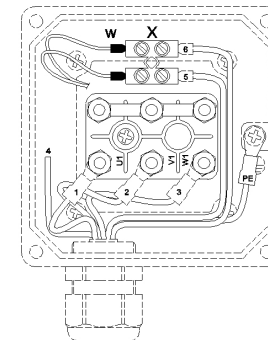
positie 1



positie 2



positie 3



positie 4

0.167	ST	X	Kroonklemstrook 6mm ² 12p	123571
2.0	ST	w	Adereindhuls 0,5mm ² wit	202381



Copyright © Miedema B.V.

Miedema

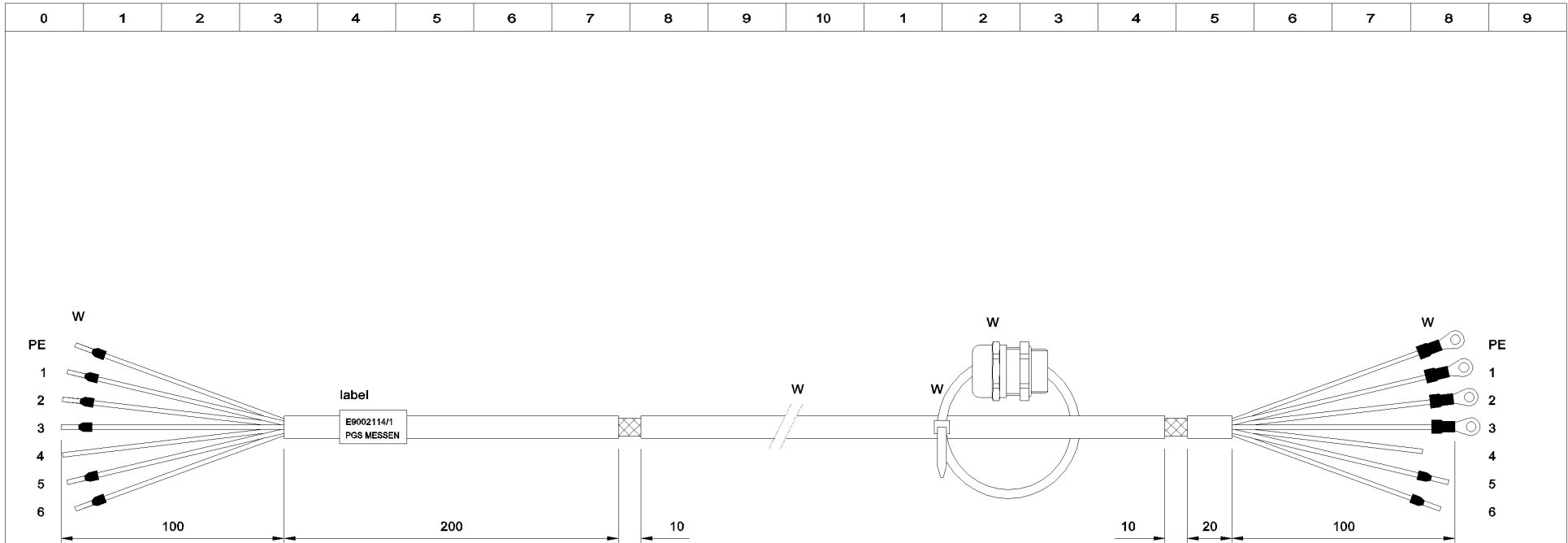
eng.: ETA	1	02-05-2017	Gewijzigd: schema met 4 posities wartels
d.d.: 11-11-2016			
scl.: 1 : 2,5			

opsteekmotor

aansluitschema

form.: A4	page: 1 of 1
doc.: E000 0010/1	
art.: E000 0010	

Pos	item	Article no.	Qty.	Description [EN]	Description [NL]
10	w	202381	2	Ferrule 0.5mm ² white	Adereindhuls 0,5mm ² wit
20	X	123571	1	Terminal block 6mm ² 12p	Kroonklemstrook 6mm ² 12p
20	X	123571	0.167	Terminal block 6mm ² 12p	Kroonklemstrook 6mm ² 12p



1.0	ST	W	Kabelbundelband 200x3,5 zwart	123557
8.0	ST	W	Adereindhuls 1,5mm ² zwart	123874
4.0	ST	W	Ringkabelschoen 0,5-1,5mm ² -M4 rood	123820
1.0	ST	W	EMC-wartel M20 7-12,5mm	201814
3.5	MT	W	Kabel PVC EMC 7G1,5mm ²	200048



Copyright © Miedema B.V.

Miedema

eng.: EDR	1	23-11-2021
d.d.: 08-02-2018		
scl.: 1 : 2,5		

Versillen: ringkabelschoen M5 rood
Toegevoegd: ringkabelschoen M4, kabelbundelband

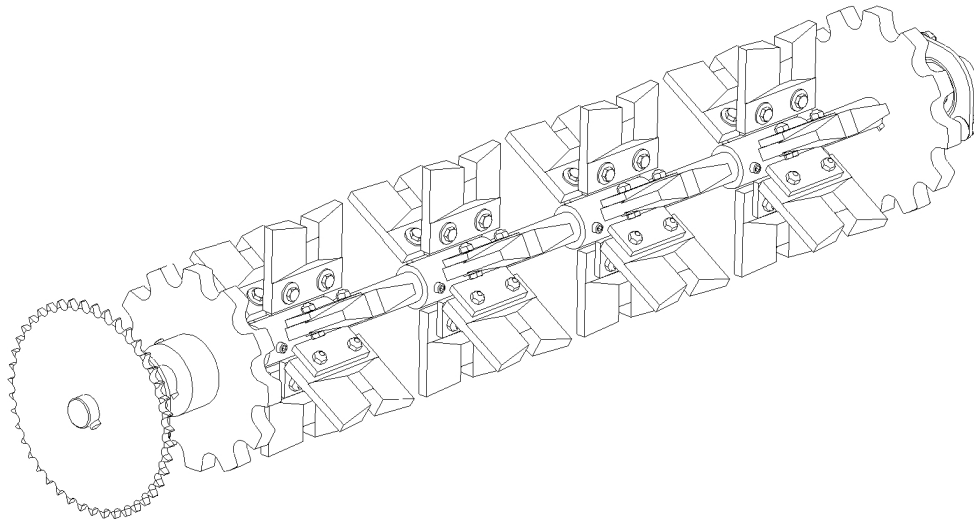
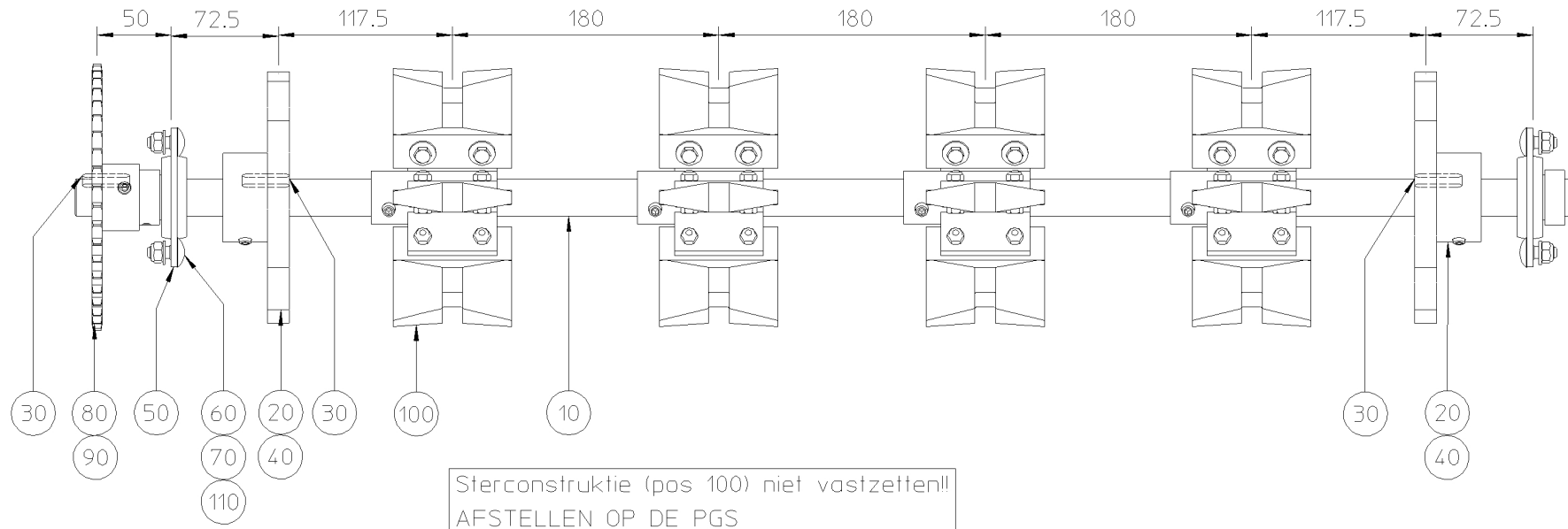
PGS messen

kabelgroep

form.: A4	page: 1 of 1
doc.: E900 2114/1	
art.: E900 2114	

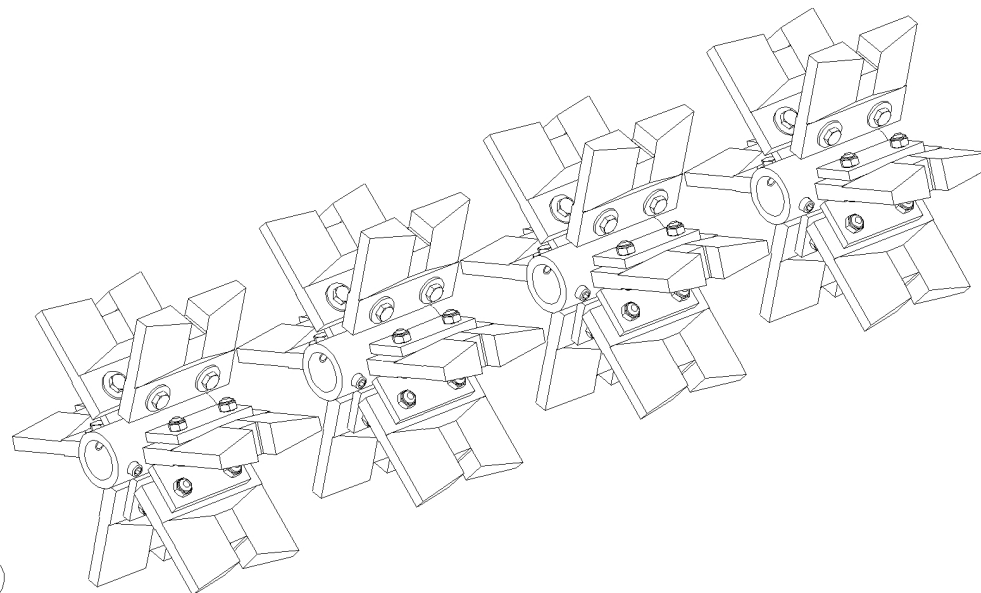
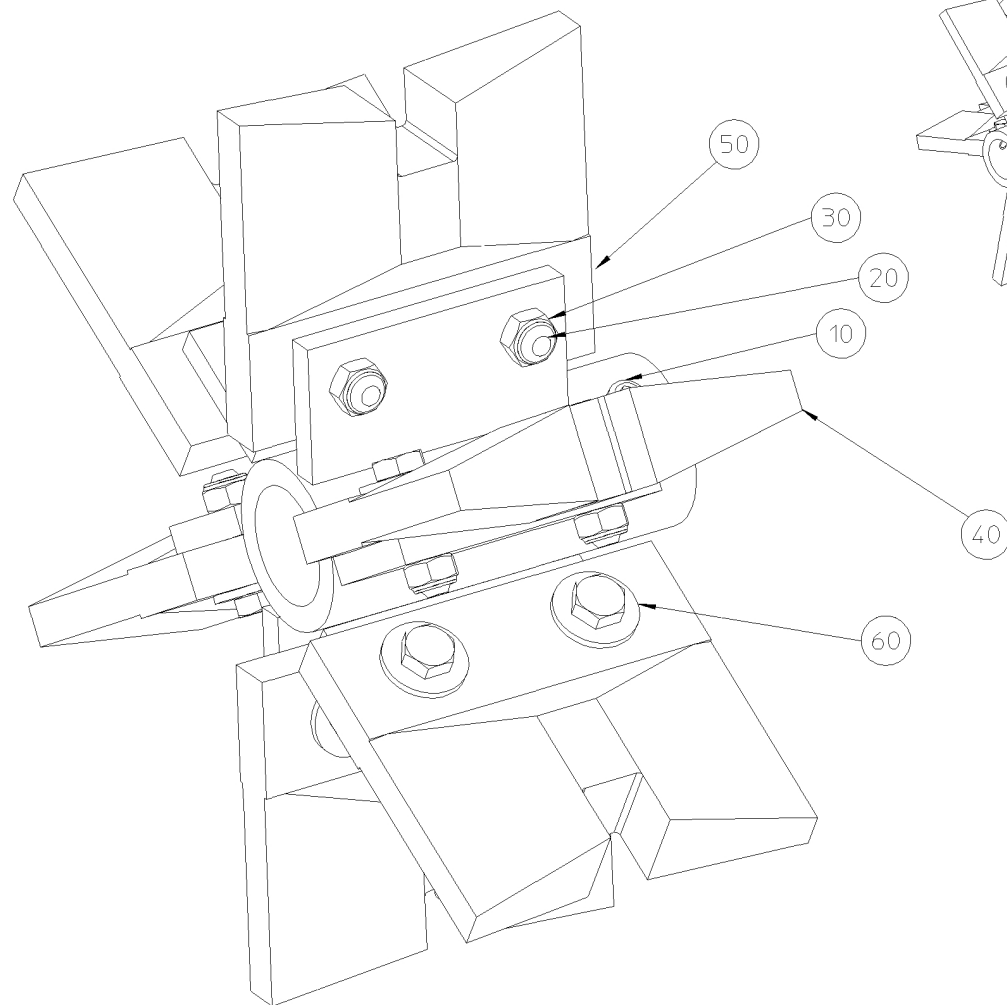
Pos	item	Article no.	Qty.	Description [EN]	Description [NL]
10	W	200048	3.5	Cable PVC EMC 7G1.5mm ²	Kabel PVC EMC 7G1,5mm ²
20	W	201814	1	EMC-gland M20 7-12.5mm	EMC-wartel M20 7-12,5mm
30	W	123820	4	Ring terminal 0.5-1.5mm ² -M4 red	Ringkabelschoen 0,5-1,5mm ² -M4 rood
50	W	123874	8	Ferrule 1.5mm ² black	Adereindhuls 1,5mm ² zwart
60	W	123557	1	Cable tie 200x3.5 black	Kabelbundelband 200x3,5 zwart

31025310 - Drive shaft assy

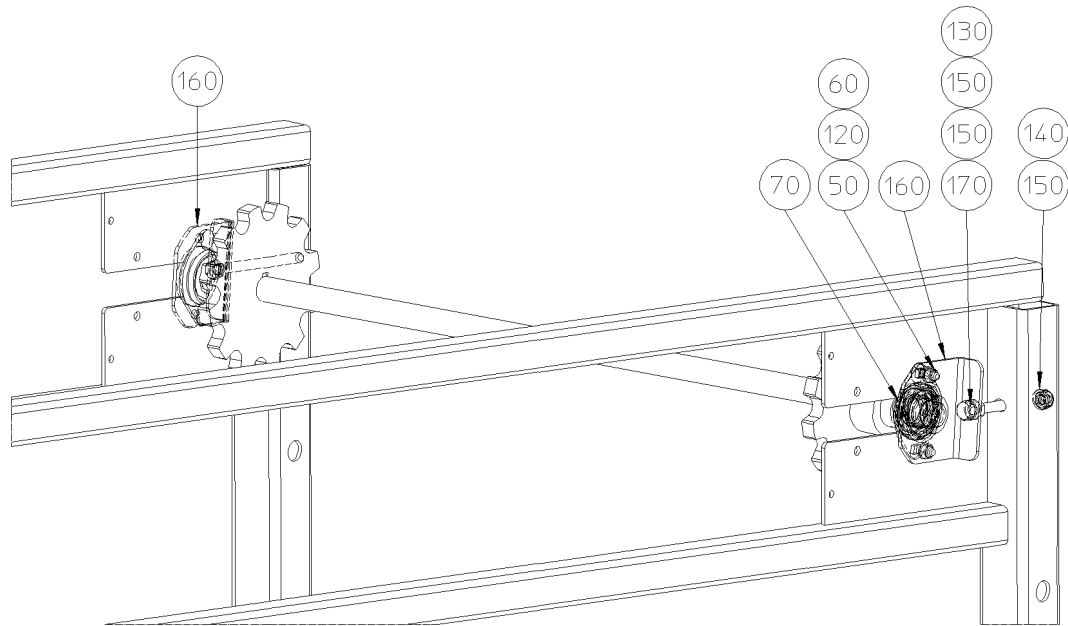
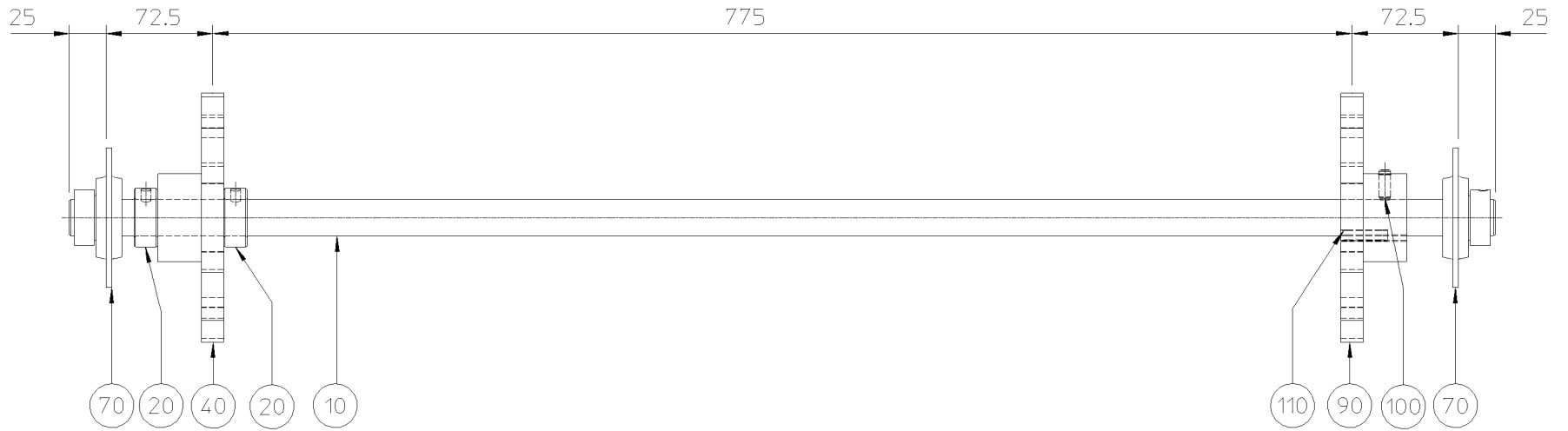


Pos	item	Article no.	Qty.	Description [EN]	Description [NL]
10		31025301	1	Drive shaft	Aandrijfás
20		A9001450	2	Chain wheel PGS t=41.7 z=12	Kettingwiel PGS t=41.7 z=12
30		103248	3	Parallel key 8x 7- 32	Vlakke inlegspie 8x 7- 32
40		101023	2	Set screw M 8x20 hex socket kl.45H galv	Stelschroef M 8x20 bzk kl.45H elvz
50		105489	2	Housing unit RAT 25	Lagerblok flens RAT 25
60		100027	4	Mushroom head bolt M 8x 20 8.8 galv	Slotbout M 8x 20 8.8 elvz
70		100652	4	Nyloc nut M 8 kl.8 galv	Nylocmoer M 8 kl.8 elvz
80		31013308	1	Chain wheel 1/2"x5/16" z=43 d=25	Kettingwiel 1/2"x5/16" z=43 d=25
90		101021	1	Set screw M 8x12 hex socket kl.45H galv	Stelschroef M 8x12 bzk kl.45H elvz
100		31025604	1	<u>Ejector star complete PGS</u>	Sterconstruktie compleet PGS
110		102004	4	Washer M 8 galv	Sluitring M 8 elvz

Tapbouten (pos 20) niet vastzetten!!
AFSTELLEN OP DE PGS

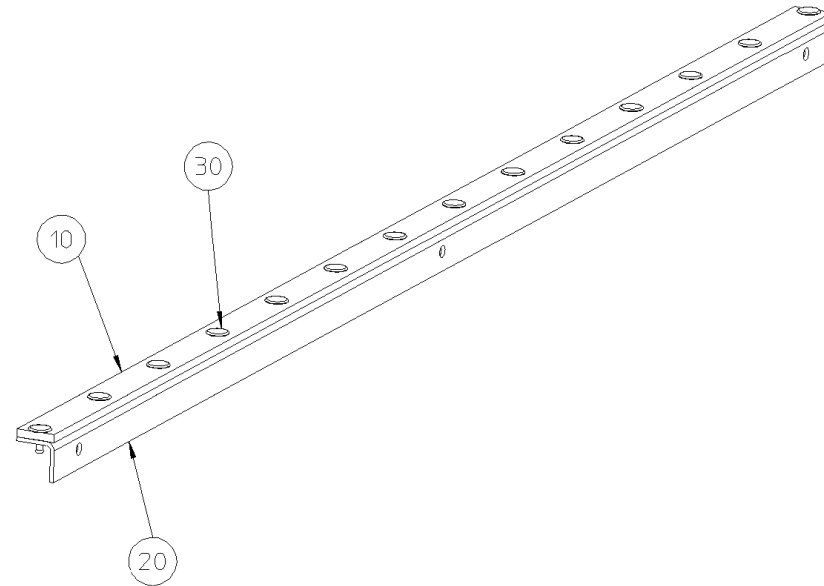


Pos	item	Article no.	Qty.	Description [EN]	Description [NL]
10		101020	8	Set screw M 8x10 hex socket kl.45H galv	Stelschroef M 8x10 bzk kl.45H elvz
20		100107	48	Tap bolt M 6x 25 8.8 galv	Tapbout M 6x 25 8.8 elvz
30		100651	48	Nyloc nut M 6 kl.8 galv	Nylocmoer M 6 kl.8 elvz
40		A9006870	24	Ejector plate	Uitdrukker
50		31011906	4	Steel star pgs	Stalen ster PGS
60		202185	48	Washer M 6 3xd1 galv	Sluitring M 6 3xd1 elvz

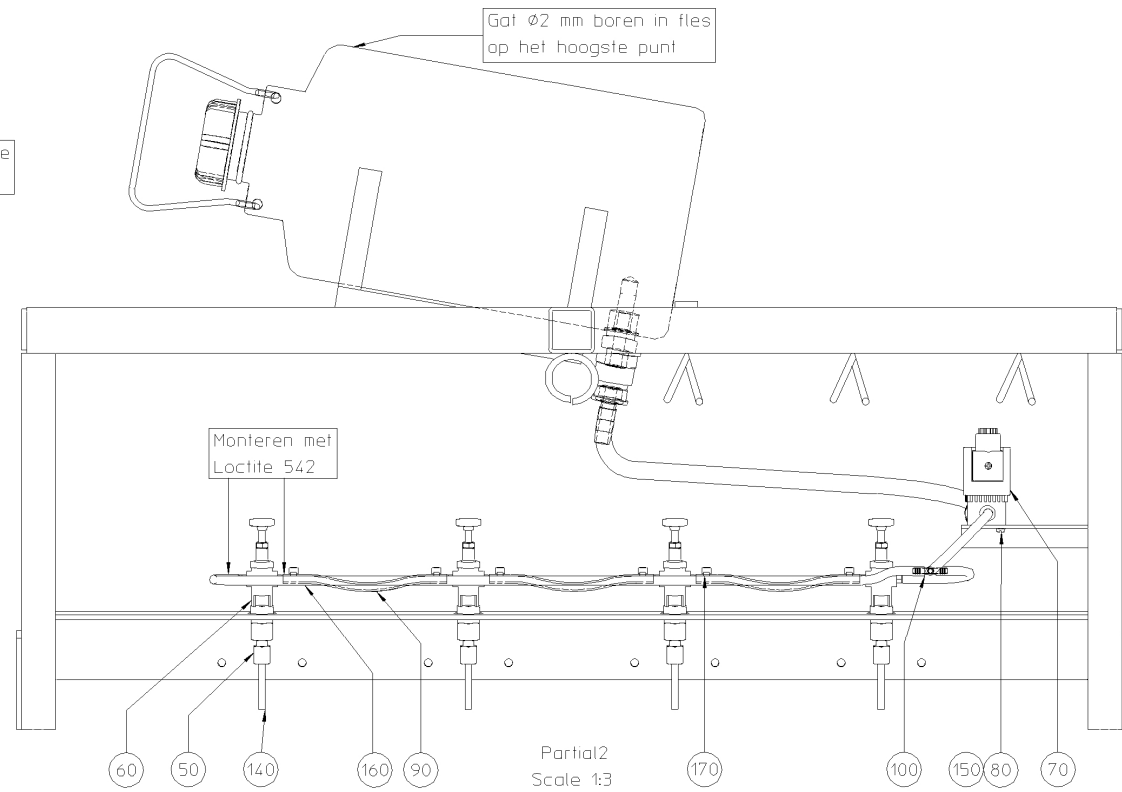
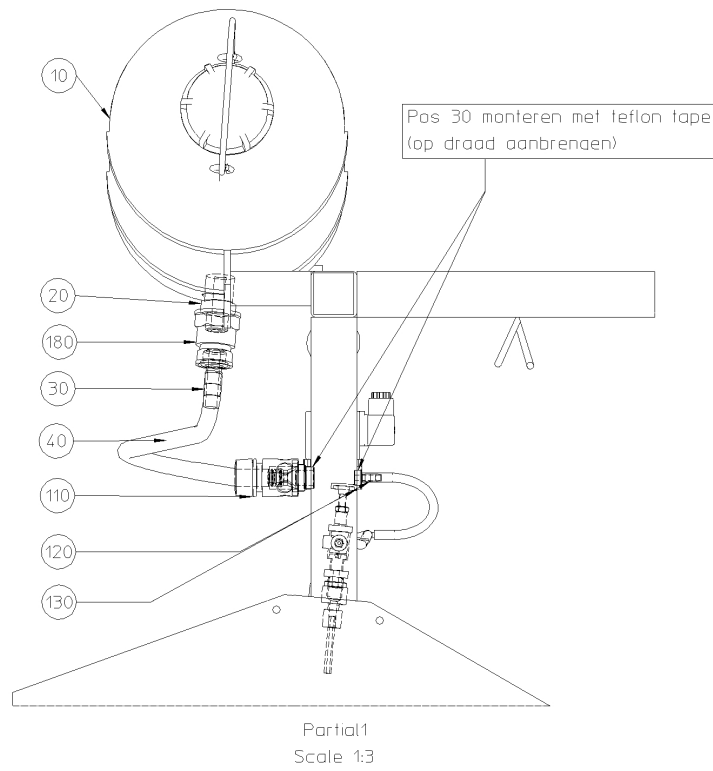


Partial1
Scale 1:5

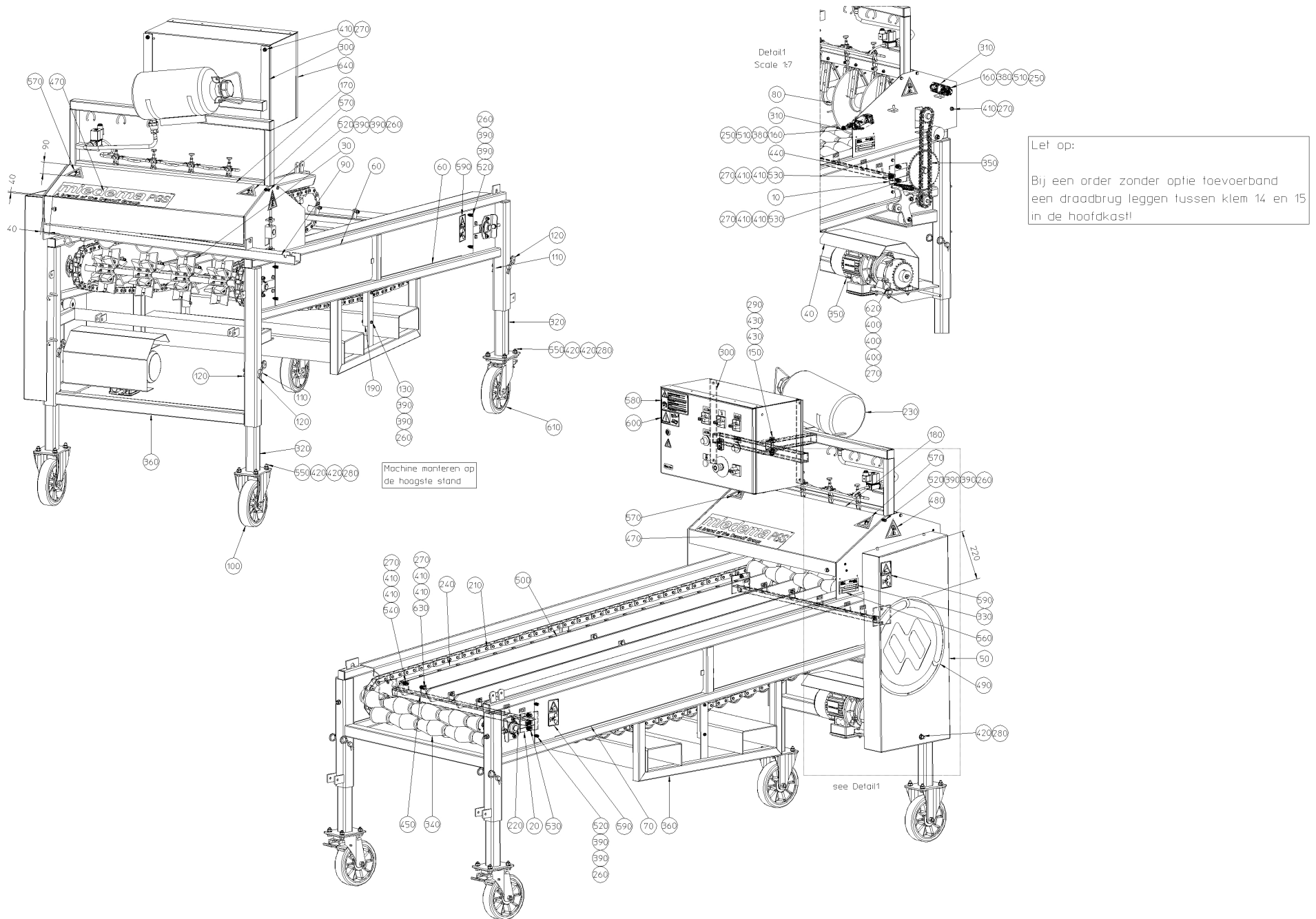
Pos	item	Article no.	Qty.	Description [EN]	Description [NL]
10		31025314	1	Return shaft	Keeras
20		201743	2	Adjusting ring 25x40x16 galv	Stelring 25x40x16 elvz
40		A9001470	1	Chain wheel PGS t=41.7 z=12	Kettingwiel PGS t=41.7 z=12
50		100028	4	Mushroom head bolt M 8x 25 8.8 galv	Slotbout M 8x 25 8.8 elvz
60		100652	4	Nyloc nut M 8 kl.8 galv	Nylocmoer M 8 kl.8 elvz
70		105489	2	Housing unit RAT 25	Lagerblok flens RAT 25
90		A9001450	1	Chain wheel PGS t=41.7 z=12	Kettingwiel PGS t=41.7 z=12
100		101023	1	Set screw M 8x20 hex socket kl.45H galv	Stelschroef M 8x20 bzk kl.45H elvz
110		103248	1	Parallel key 8x 7- 32	Vlakke inlegspie 8x 7- 32
120		102004	4	Washer M 8 galv	Sluitring M 8 elvz
130		100624	2	Nut M10 kl.8 galv	Moer M10 kl.8 elvz
140		100653	2	Nyloc nut M10 kl.8 galv	Nylocmoer M10 kl.8 elvz
150		102005	6	Washer M10 galv	Sluitring M10 elvz
160		11167430	2	Tensioner plate	Spanplaat
170		200541	2	Tap bolt M10x130 8.8 galv	Tapbout M10x130 8.8 elvz



Pos	item	Article no.	Qty.	Description [EN]	Description [NL]
10		31014001	1	Rubber	Rubberband 30x 6 l=1310
20		31010611	1	Angle profile	Hoeklijn
30		103362	14	Blind rivet 4.8x18 elh ø16 al/st	Popnagel 4.8x18 egbk ø16 al/st



Pos	item	Article no.	Qty.	Description [EN]	Description [NL]
10		118293	1	Carboy 10 litres, c/w cap	Fles pe 10 ltr+dop+maatverdeling
20		205937	1	Adapter 3/4" PP for bottles 5-60L	Verloopstuk 3/4" PP voor flessen 5-60L
30		200156	1	Hose pillar 1/2" male thread. bore 10mm HDPE	Slangpilaar 1/2" buitendr. doorlaat 10mm HDPE
40		31026104	1	Compressed air hose PVC 16.5x1.5 transparent	Perslucht slang PVC 16.5x1.5 transparant
50		113715	4	Pressure gauge coupling MAVL 16 R1/4 galv	Manometeropschroefkoppeling MAVL 16 R1/4 elvz
60		118291	4	Oil dropper 2 connections	Olie druppelaar 2 aansluitingen
70		A0003320	1	Solenoid valve 1/4", 24Vac	2-weg magneetafsluiter 1/4" 24Vac
80		101263	2	Slotted cheese head screw M 4x 16 4.8 galv	Cilinderkopschroef M 4x 16 4.8 elvz
90		31026108	5	Transparent plastic hose	Slang kunststof transparant
100		111463	1	T-connector PP 6 mm (nominal)	T-stuk PP 6 mm (nominaal)
110		113709	1	Gardena waterstop 1/2"	Gardena waterstop 1/2"
120		113708	1	Gardena connector g 1/4	Aansluitstuk gardena G1/4"
130		110043	1	Hose pillar 1/4" male thread x 6mm	Slangpilaar 1/4" buitendraad x 6mm
140		31026115	4	Hydraulic tube 6mm	Hydrauliekbuis 6mm
150		102080	2	Serrated lock washer M 4 galv	Tandveerring M 4 buitenvertanding elvz
160		31026107	1	Transparent plastic hose	Slang kunststof transparant
170		123558	6	Cable tie 178x4.8 black	Kabelbundelband 178x4,8 zwart
180		205191	1	Female / female reducer nipple G 3/4" - G 1/2"	Verloopnippel G 3/4" - G 1/2"



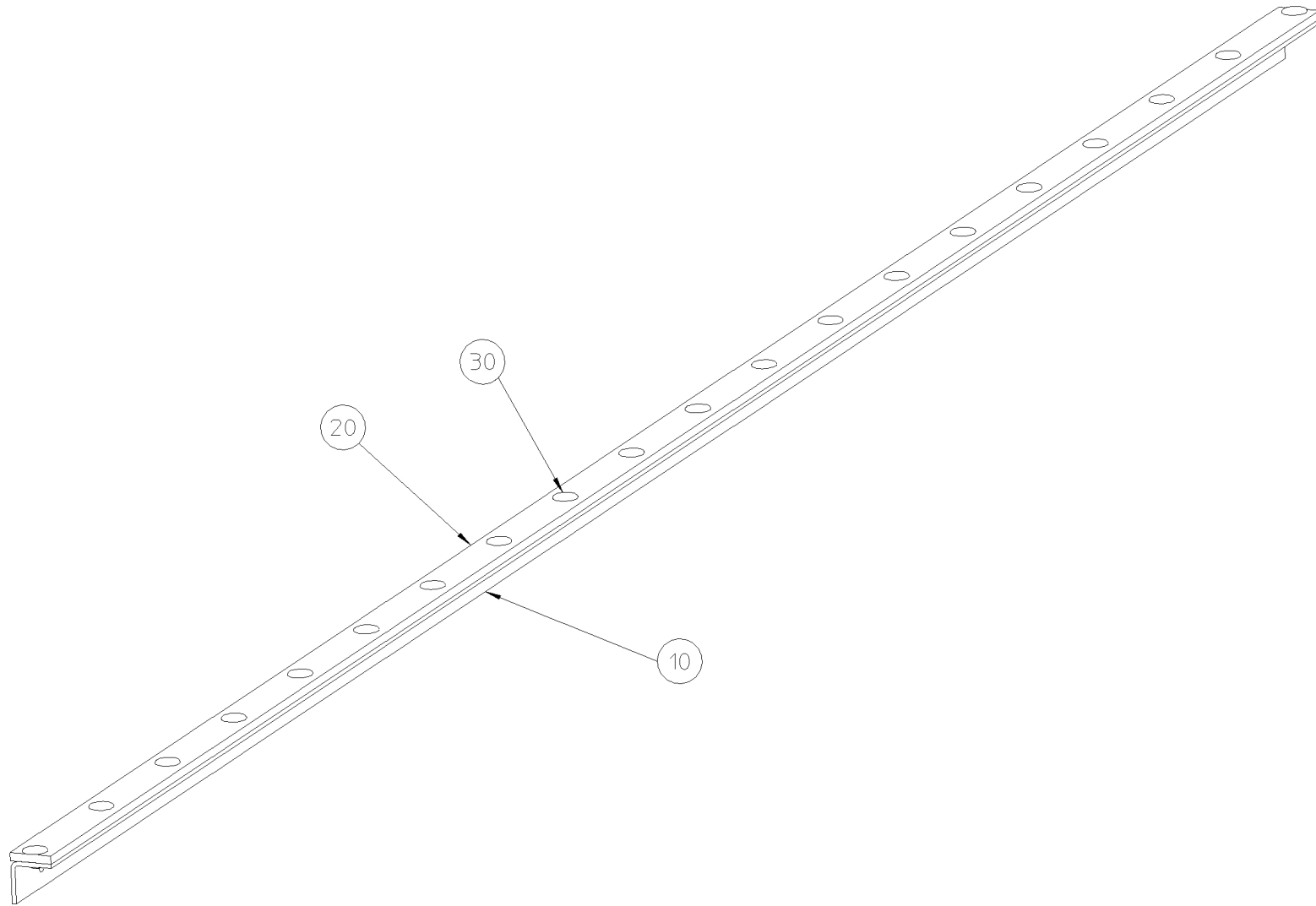
Let op:
Bij een order zonder optie toevoerbands een draadbrug leggen tussen klem 14 en 15 in de hoofdkast!

Machine monteren op de hoogste stand

see Detail1

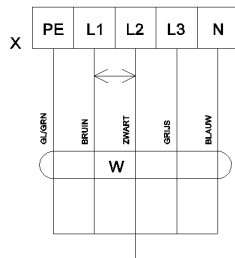
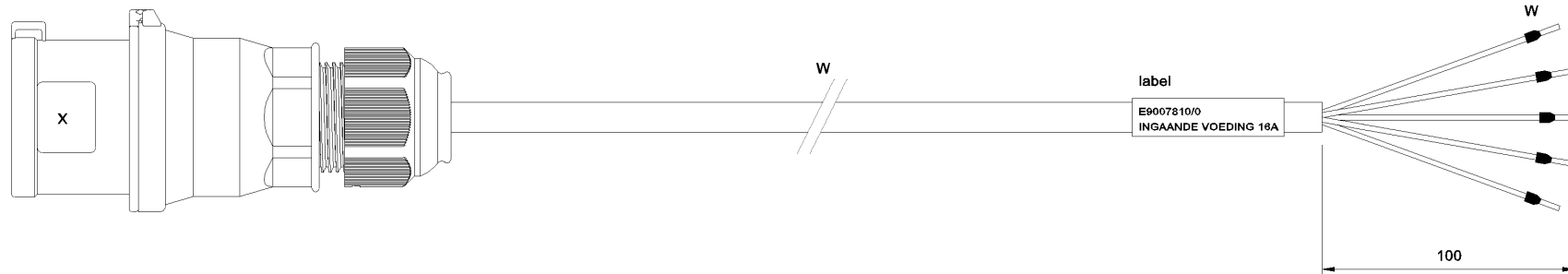
Pos	item	Article no.	Qty.	Description [EN]	Description [NL]
10		31025203	1	Mouning plate rear	Aanboutplaat achter
20		31025003	1	Mouning plate front	Aanboutplaat voor
30		31025310	1	Drive shaft assy	Aandrijftras compleet
40		11221750	1	Cover plate drive motor	Afschermkap aandrijfmotor
50		31024501	1	Cover plate drive	Afschermkap hoofdaandrijving
60		11114980	2	Cover plate left	Afschermplaat links
70		11114970	2	Cover plate right	Afschermplaat rechts
80		31025918	1	Shaft with knives	As met snijmesses
90		31026415	1	Brushes and scrapers	Bev. borstels + schrapers
100		206000	2	Fixed castor ø200 polyurethaan	Bokwiel ø200 polyurethaan 700kg
110		31010604	4	Locking pin	Borgpen
120		104102	8	Spring cotter pin double 4.5 (=4mm) galv	Borgveer dubbel 4.5 (=4mm) elvz
130		100343	4	Bolt M 6x 45 8.8 galv	Bout M 6x 45 8.8 elvz
150		100407	1	Bolt M12x 70 8.8 galv	Bout M12x 70 8.8 elvz
160		202933	4	Slotted cheese head screw M 4x 55 4.8 galv	Cilinderkopschroef M 4x 55 4.8 elvz
170		31026301	1	Cover knives rear	Deksel snijmesses achter
180		31026201	1	Cover knives front	Deksel snijmesses voor
190		A9005510	2	Sliding block	Glij-blok
210		202937	2	Hollow pin chain 41,75 120 links galv +conn. link	Holleboutketting 41,75 120 sch. elvz
220		31025317	1	Return shaft	Keeras compleet
230		31026117	1	Desinfection lines assy	Leidingwerk ontsmetten
240		10083750	2	Support	Loopbaan compleet
250		100714	4	Nut M 4 brass	Moer M 4 messing
260		100651	16	Nyloc nut M 6 kl.8 galv	Nylocmoer M 6 kl.8 elvz
270		100652	36	Nyloc nut M 8 kl.8 galv	Nylocmoer M 8 kl.8 elvz
280		100653	17	Nyloc nut M10 kl.8 galv	Nylocmoer M10 kl.8 elvz
290		100654	1	Nyloc nut M12 kl.8 galv	Nylocmoer M12 kl.8 elvz
300		A9006891	1	Switchbox mounting frame	Ophanging schakelkast
310		E9001310	2	Assembly group PGS limit switch	Montagegroep PGS eindschakelaar
320		31010603	4	Support leg PGS	Poot PGS
330		103330	2	Blind rivet 4.0x12 dh al/st	Popnagel 4.0x12 pbk al/st
340		31020604	60	Singulator roller PGS	Rol PGS 4-r
350		31025331	1	Roller conveyor drive complete	Rollenbaan aandrijving compleet
360		11115150	1	Roller conveyor frame	Rollenbaanframe
380		102001	4	Washer M 4 galv	Sluitring M 4 elvz

Pos	item	Article no.	Qty.	Description [EN]	Description [NL]
390		102003	32	Washer M 6 galv	Sluitring M 6 elvz
400		200363	10	Washer M 8 3xd1 galv	Sluitring M 8 3xd1 elvz
410		102004	60	Washer M 8 galv	Sluitring M 8 elvz
420		102005	34	Washer M10 galv	Sluitring M10 elvz
430		102006	2	Washer M12 galv	Sluitring M12 elvz
440		31025104	1	Support profile rear	Steunprofiel achter
450		31024704	1	Support profile front	Steunprofiel voor
470		11060180	2	Sticker Miedema PGS	Sticker Miedema PGS
480		A0009760	2	Sticker PGS	Sticker PGS
490		11060230	1	Sticker logo round 432	Sticker logo rond 432
500		10083760	4	Strip	Strip
510		102080	4	Serrated lock washer M 4 galv	Tandveerring M 4 buitenvertanding elvz
520		100106	12	Tap bolt M 6x 20 8.8 galv	Tapbout M 6x 20 8.8 elvz
530		100120	10	Tap bolt M 8x 20 8.8 galv	Tapbout M 8x 20 8.8 elvz
540		100121	6	Tap bolt M 8x 25 8.8 galv	Tapbout M 8x 25 8.8 elvz
550		100154	16	Tap bolt M10x 30 8.8 galv	Tapbout M10x 30 8.8 elvz
560		A0002830	1	PIN plate MACHINE No.	Typeplaat (standaard)
570		36160303	4	Safety sticker cutting knives	Veiligheidssticker 'mes in hand'
580		122248	1	Safety sticker general	Veiligheidssticker algemeen
590		122250	3	Safety sticker guard	Veiligheidssticker beschermkap
600		122254	1	Safety sticker electric	Veiligheidssticker elektrisch
610		205997	2	Swivel wheel braked ø200 polyurethaan 700kg	Zwenkwiel geremd ø200 polyurethaan 700kg
620		100359	4	Bolt M 8x 40 8.8 galv	Bout M 8x 40 8.8 elvz
630		100122	12	Tap bolt M 8x 30 8.8 galv	Tapbout M 8x 30 8.8 elvz
640		E9007801	1	Switchbox Seed potato cutter	Schakelkast Pootgoedsnijder



Pos	item	Article no.	Qty.	Description [EN]	Description [NL]
10		10083730	1	Angle profile	Hoeklijn
20		10083740	1	Rubber	Rubberband
30		103360	20	Blind rivet 4.8x12 elh ø16 al/st	Popnagel 4.8x12 egbk ø16 al/st

0	1	2	3	4	5	6	7	8	9	10	1	2	3	4	5	6	7	8	9
---	---	---	---	---	---	---	---	---	---	----	---	---	---	---	---	---	---	---	---



1.0	ST	X	CEE Contactstop 3p+N+PE 32A +FW	200230
5.0	ST	W	Adereindhuls 1,5mm² zwart	123874
15.0	MT	W	Kabel neopreen 5G1,5mm²	201765



Copyright © Miedema B.V.

Miedema

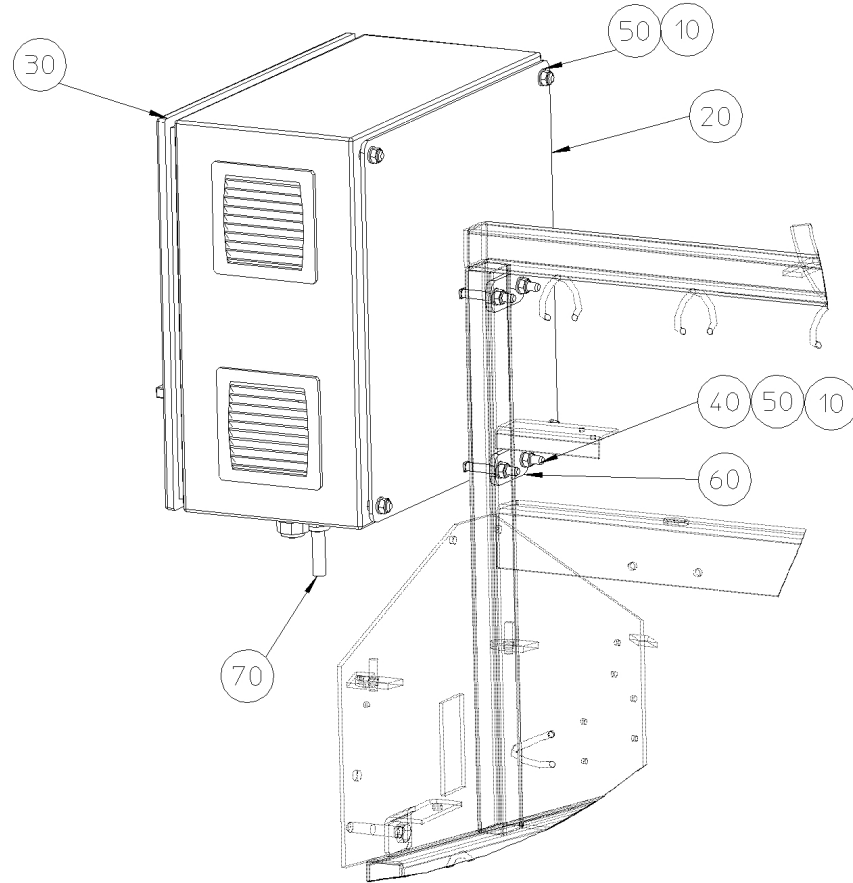
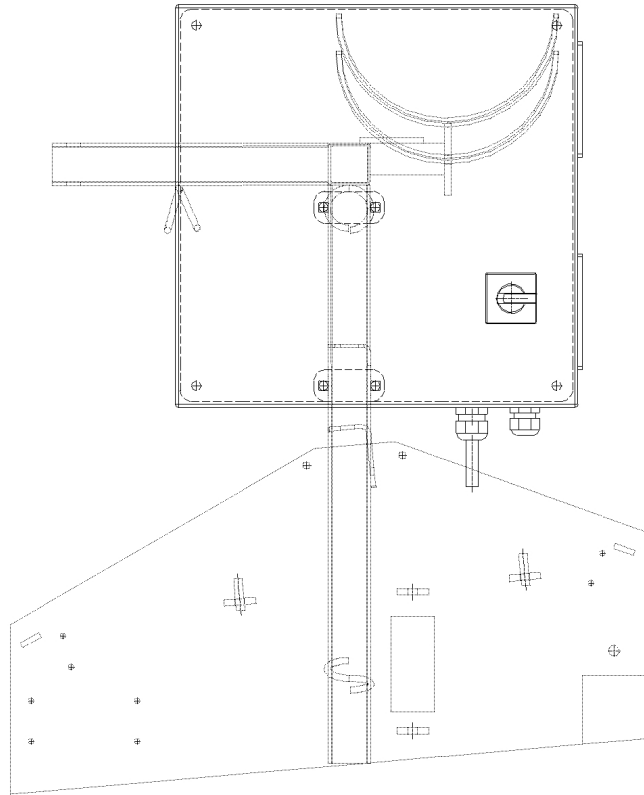
eng.: FRA			
d.d.: 23-11-2021			
scl.: 1 : 2,5			

Ingaande voeding 16A

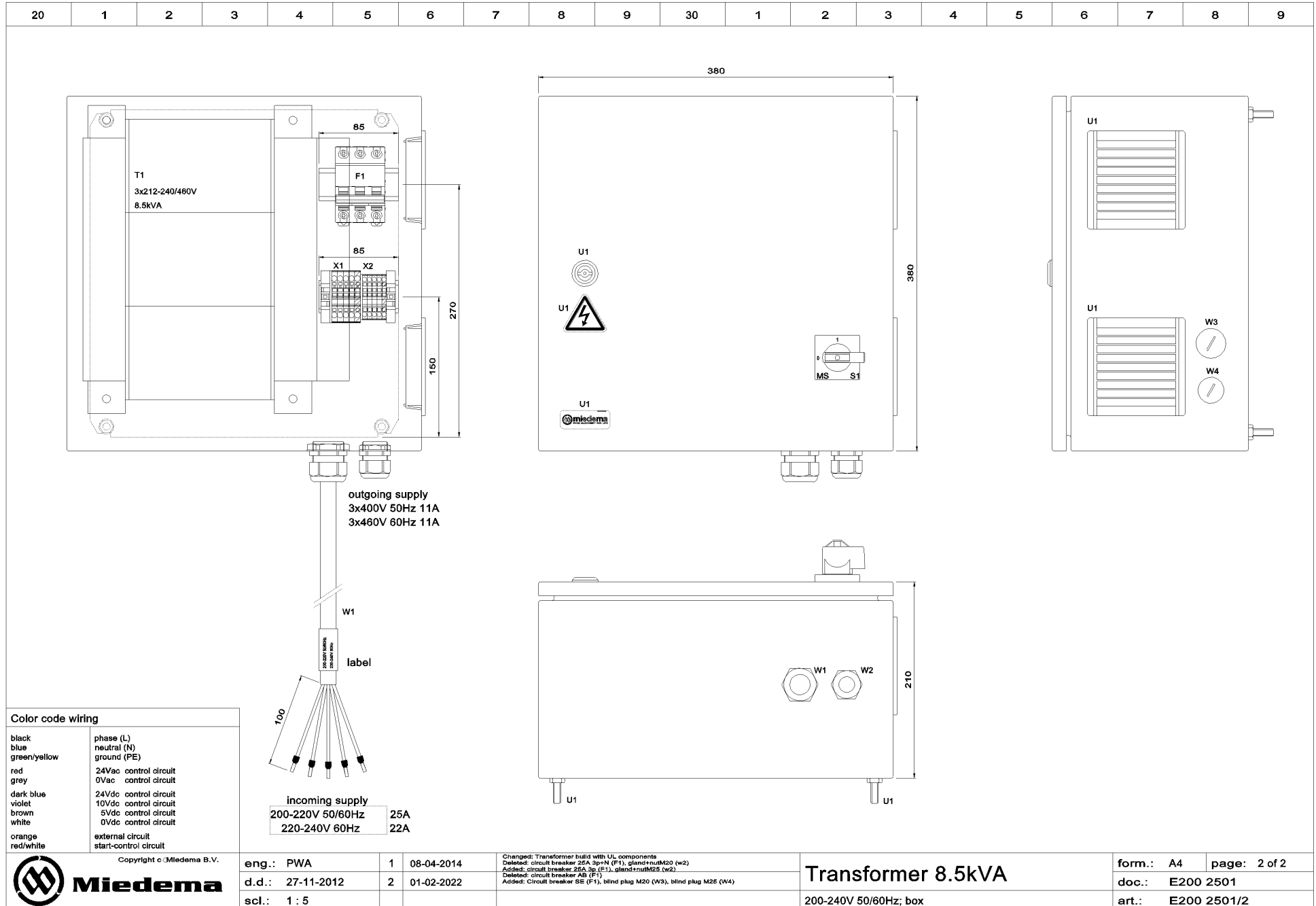
kabelgroep

form.: A4	page: 1 of 1
doc.: E900 7810/0	
art.: E900 7810	

Pos	item	Article no.	Qty.	Description [EN]	Description [NL]
10	W	201765	15	Cable neoprene 5G1.5mm ²	Kabel neopreen 5G1,5mm ²
20	W	123874	5	Ferrule 1.5mm ² black	Adereindhuls 1,5mm ² zwart
30	X	200230	1	CEE plug 3p+N+PE 32A +phase inverter	CEE Contactstop 3p+N+PE 32A +FW



Pos	item	Article no.	Qty.	Description [EN]	Description [NL]
10		100652	8	Nyloc nut M 8 kl.8 galv	Nylocmoer M 8 kl.8 elvz
20		11253490	1	Plate	Plaat
30		E2002501	1	Switchbox transformer 8.5kVA 200-240V 50/60Hz	Schakelkast Trafo 8,5kVA 200-240V 50/60Hz
40		100035	4	Mushroom head bolt M 8x 60 8.8 galv	Slotbout M 8x 60 8.8 elvz
50		102004	8	Washer M 8 galv	Sluitring M 8 elvz
60		11253500	2	Strip	Strip
70		E5019710	1	Cable assembly power supply loop cable	Kabelgroep voeding doorluskabel



Color code wiring	
black	phase (L)
blue	neutral (N)
green/yellow	ground (PE)
red	24Vac control circuit
grey	0Vac control circuit
dark blue	24Vdc control circuit
violet	10Vdc control circuit
brown	5Vdc control circuit
white	0Vdc control circuit
orange	external circuit
red/white	start-control circuit

incoming supply	
200-220V 50/60Hz	25A
220-240V 60Hz	22A

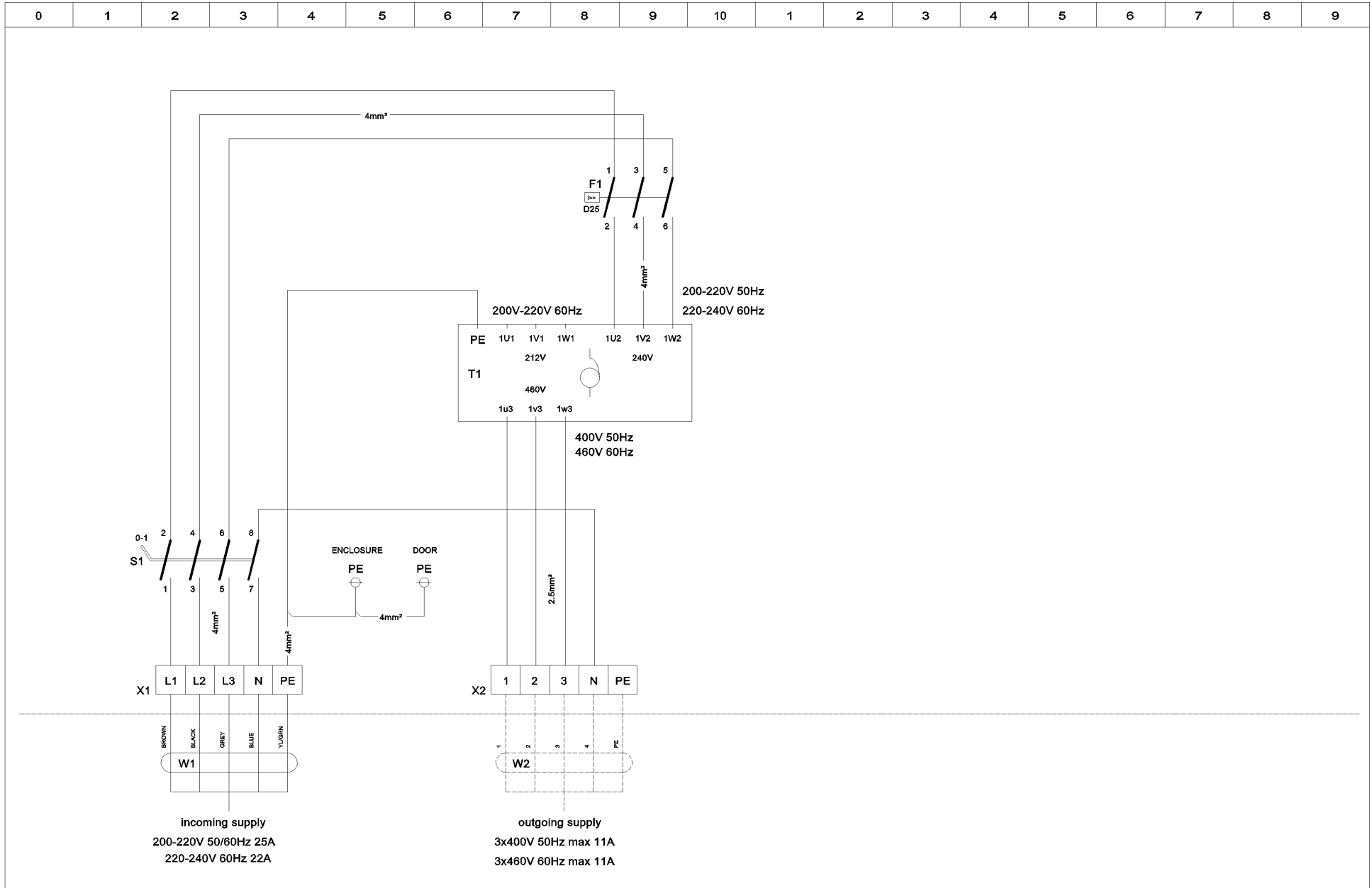
Copyright © Miedema B.V.


eng.:	PWA	1	08-04-2014
d.d.:	27-11-2012	2	01-02-2022
scl.:	1 : 5		

Changed: Transformer build with UL components
 Deleted: circuit breaker 25A 3p-N (F1), gland+nutM20 (w2)
 Added: circuit breaker 25A 3p (F1), gland+nutM25 (w2)
 Deleted: circuit breaker AS (F1),
 Added: Circuit breaker SE (F1), blind plug M20 (W3), blind plug M25 (W4)

Transformer 8.5kVA
200-240V 50/60Hz; box

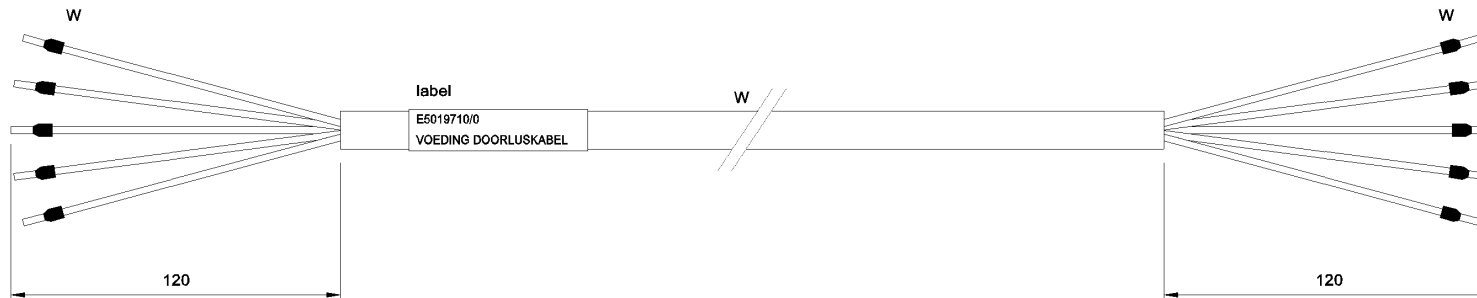
form.:	A4	page:	2 of 2
doc.:	E200 2501		
art.:	E200 2501/2		



 Copyright © Miedema B.V.	eng.: PWA	1	08-04-2014	Deleted: circuit breaker D25A 3p+N (F1) Added: circuit breaker D25A 3p (F1)	Transformer 8.5kVA 200-240V 50/60Hz; main circuit	form.: A4	page: 1 of 2
	d.d.: 27-11-2012	2	01-02-2022	Deleted: circuit breaker Allen Bradley (F1) Added: Circuit breaker Schneider Electric (F1)		doc.: E200 25A1	
	scl.:					art.: E200 2501/2	

Pos	item	Article no.	Qty.	Description [EN]	Description [NL]
40	S1	202201	1	Cam switch 4p25A 0-1-90° 48x48 +lock	Nokkenshakelaar 4p25A 0-1-90°48x48 +hs
60	T1	204119	1	Autotransformer 3ph 212-240/460V-8.5kVA	Trafo spaar 3f 212-240/460V-8,5kVA
90	U1	203534	2	Exhaust filter IP54 92x92	Uitlaatfilter IP54 92x92
110	W1	201767	10	Cable neoprene 5G4.0mm ²	Kabel neopreen 5G4,0mm ²
130	X1	202002	4	Feed-through DIN rail terminal 4mm ² 1-1	DIN-rail doorvoerklem 4mm ² 1-1
140	X2	200606	4	Feed-through DIN rail terminal 2,5mm ² 1-1	DIN-rail doorvoerklem 2,5mm ² 1-1
150	U1	200579	1	Sticker dangerous voltage 50x50x50	Sticker gevaarlijke spanning 50x50x50
160	U1	E4954602	1	Pictogram 'Miedema'	Pictogram 'Miedema'
170	W2	201805	1	Gland M25 plastic black 9-17mm	Wurgwartel M25 kunststof zwart 9-17mm
180	W2-3	201807	2	Gland nut M25 plastic black	Wartelmoer M25 kunststof zwart
210	X1	202003	1	PE conductor DIN rail terminal 4mm ² 1-1	DIN-rail aardklem 4mm ² 1-1
220	X1	202004	1	End plate for DIN rail terminal 4mm ² 1-1	Sluitplaat voor railklem 4mm ² 1-1
230	X1,2	202158	2	DIN rail end bracket 9.5mm	DIN-rail eindsteun 9,5mm
240	X2	200608	1	PE conductor DIN rail terminal 2,5mm ² 1-1	DIN-rail aardklem 2,5mm ² 1-1
250	X2	200609	1	End plate for DIN rail terminal 2,5mm ² 1-1	Sluitplaat voor railklem 2,5mm ² 1-1
270	F1	207181	1	Circuit breaker 25A 3p D curve	Zekeringautomaat 25A 3p D curve
280	U1	206742	1	Box lock double beard 3mm complete	Kastslot dubbelbaard 3mm compleet
290	U1	100122	4	Tap bolt M 8x 30 8.8 galv	Tapbout M 8x 30 8.8 elvz
300	U1	11164800	1	Enclosure switchbox MC transformer	Behuizing schakelkast MC transformator
310	U1	11120860	1	Mounting plate 380x 380	Montageplaat 380x 380
320	W4	201804	1	Gland nut M20 plastic black	Wartelmoer M20 kunststof zwart
330	W4	201803	1	Blind plug M20 plastic black	Blindstop M20 kunststof zwart
340	W3	201806	1	Blind plug M25 plastic black	Blindstop M25 kunststof zwart
350	W1	201808	1	Gland M32 plastic black 11-21mm	Wurgwartel M32 kunststof zwart 11-21mm
360	W1	201810	1	Gland nut M32 plastic black	Wartelmoer M32 kunststof zwart
370	U2	201459	0.17	DIN rail 35x7,5mm +slot holes l=2m	DIN-rail 35x7,5mm +sleufgaten l=2m
380	X1,2	206301	2	Terminal strip marker carrier	Klemmenstrook-coderingshouder

0	1	2	3	4	5	6	7	8	9	10	1	2	3	4	5	6	7	8	9
---	---	---	---	---	---	---	---	---	---	----	---	---	---	---	---	---	---	---	---



10.0	ST	W	Adereindhuis 2,5mm ² blauw	123872
4.0	MT	W	Kabel PVC 5G2,5mm ²	200664
Voeding doorluskabel				form.: A4 page: 1 of 1
kabelgroep				doc.: E501 9710/0
				art.: E501 9710



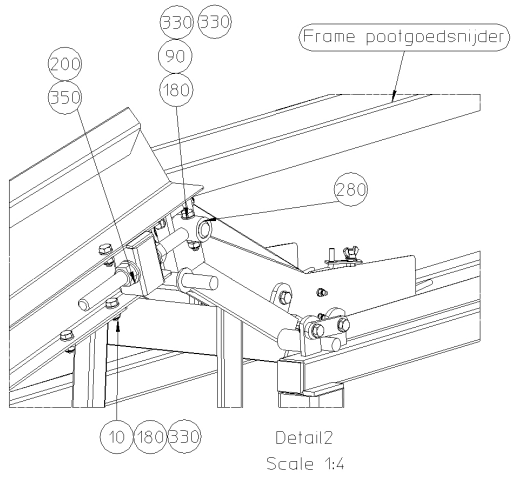
Copyright © Miedema B.V.

eng.: ETA			
d.d.: 15-03-2021			
scl.: 1 : 2,5			

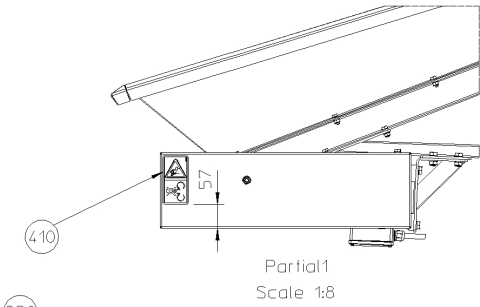
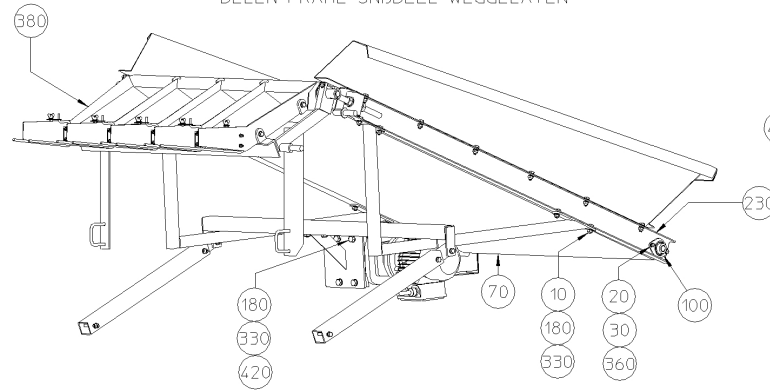
Pos	item	Article no.	Qty.	Description [EN]	Description [NL]
10	W	200664	4	Cable PVC 5G2.5mm ²	Kabel PVC 5G2,5mm ²
20	W	123872	10	Ferrule 2.5mm ² blue	Adereindhuls 2,5mm ² blauw

31020101 - Input conveyor

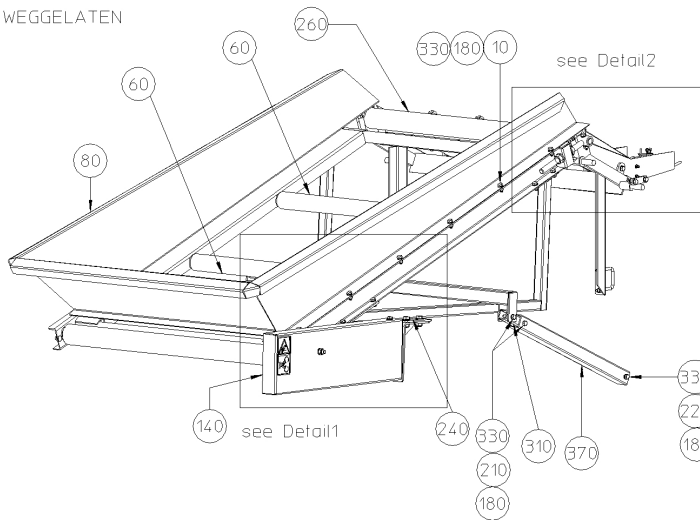
DIVERSE ONDERDELEN IN AANZICHT WEGGELATEN



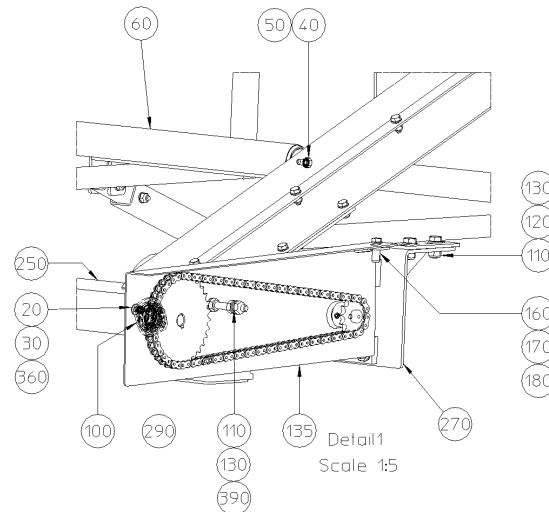
DELEN FRAME SNIJDEEL WEGGELATEN



TRANSPORTBAND IN AANZICHT WEGGELATEN

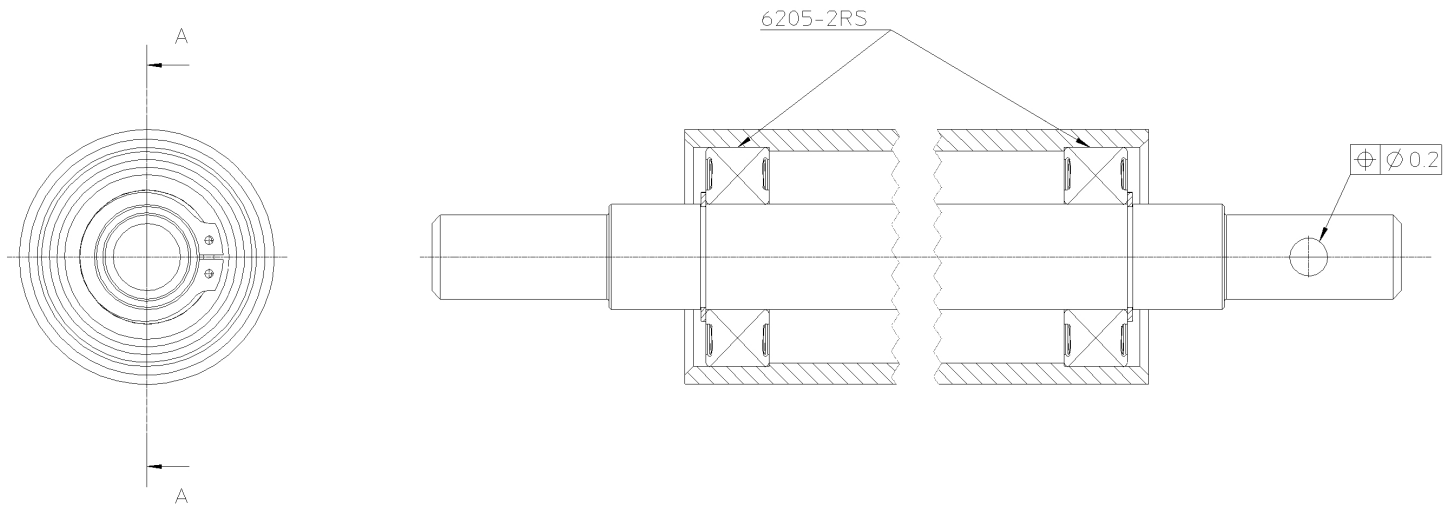


DIV. ONDERDELEN IN AANZICHT WEGGELATEN



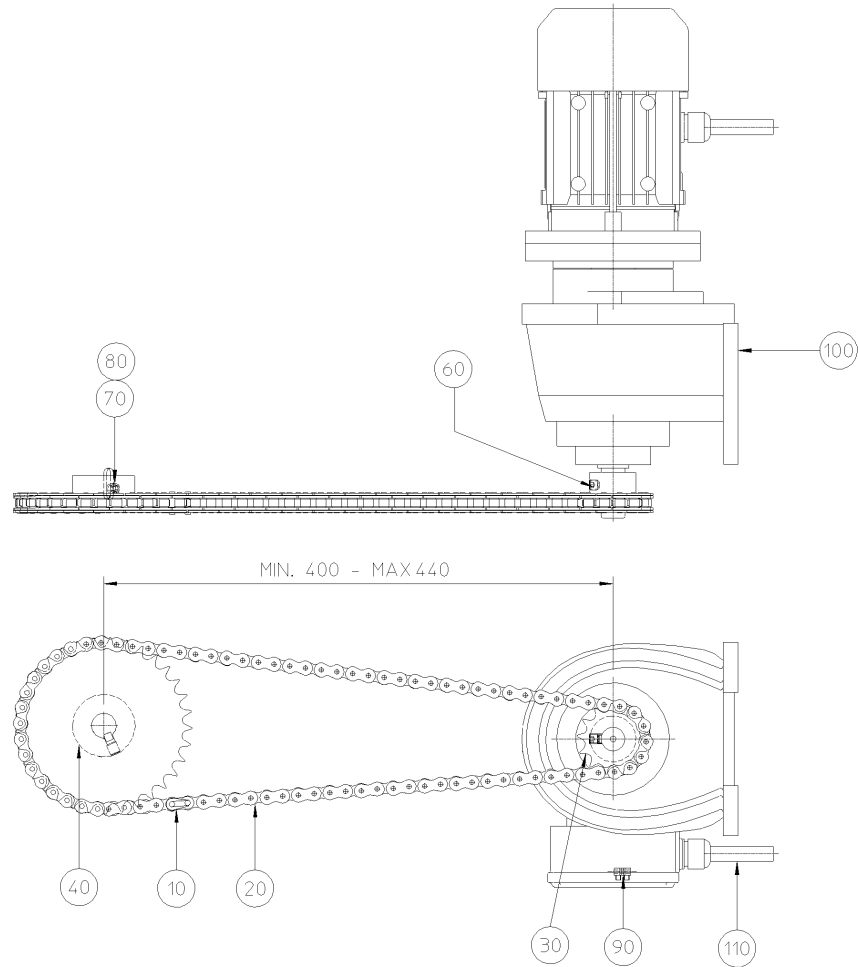
Pos	item	Article no.	Qty.	Description [EN]	Description [NL]
10		100120	20	Tap bolt M 8x 20 8.8 galv	Tapbout M 8x 20 8.8 elvz
20		100012	4	Mushroom head bolt M 6x 16 8.8 galv	Slotbout M 6x 16 8.8 elvz
30		100651	4	Nyloc nut M 6 kl.8 galv	Nylocmoer M 6 kl.8 elvz
40		100119	4	Tap bolt M 8x 16 8.8 galv	Tapbout M 8x 16 8.8 elvz
50		102078	4	Serrated lock washer M 8 galv	Tandveerring M 8 binnenvertanding elvz
60		A0005080	2	Support roller ø50 - 600/620 pvc	Draagrol ø50 - 600/620 pvc
70		31024001	1	Conveyor belt PGS inlet - 3180x780	Transportband PGS aanvoerdeel - 3180x780
80		31025805	1	Input hopper welded	Samenstelling stortbak
90		100360	1	Bolt M 8x 45 8.8 galv	Bout M 8x 45 8.8 elvz
100		105492	2	Housing unit RALT 20-FA125.8	Lagerblok flens RALT 20-FA125.8
110		102005	19	Washer M10 galv	Sluitring M10 elvz
120		100153	4	Tap bolt M10x 25 8.8 galv	Tapbout M10x 25 8.8 elvz
130		100653	9	Nyloc nut M10 kl.8 galv	Nylocmoer M10 kl.8 elvz
135		31026601	1	Protection cover back	Beschermkap achter aandrijving
140		31024101	1	Protection cover drive	Beschermkap aandrijving
160		100121	3	Tap bolt M 8x 25 8.8 galv	Tapbout M 8x 25 8.8 elvz
170		100741	1	Blind rivet nut round M 8 st galv, 5.5-8mm	Blindklinkmoer rond M 8 st elvz, 5.5-8mm
180		102004	63	Washer M 8 galv	Sluitring M 8 elvz
200		100627	4	Nut M16 kl.8 galv	Moer M16 kl.8 elvz
210		100362	4	Bolt M 8x 55 8.8 galv	Bout M 8x 55 8.8 elvz
220		100364	4	Bolt M 8x 65 8.8 galv	Bout M 8x 65 8.8 elvz
230		31021009	1	Input conveyor frame	Aanvoerframe compleet
240		31022307	1	Intermediate frame PGS	Bok aanvoerframe PGS
250		31021506	1	Drive roller	Aandrijftrommel
260		31021805	1	Return roller	Keertrommel
270		11221290	1	Motor bracket	Motorstoel
280		31021903	2	Tensioner	Spanner
290		31026001	1	Discharge belt drive	Aandrijving afvoerband
310		31023601	2	Square tube	Koker
320		31027001	1	Strip for suspension frame	Strip tbv ophanging afv.frame
330		100652	31	Nyloc nut M 8 kl.8 galv	Nylocmoer M 8 kl.8 elvz
350		102008	4	Washer M16 galv	Sluitring M16 elvz
360		102003	4	Washer M 6 galv	Sluitring M 6 elvz
370		A9005641	2	Square tube	Koker
380		A9005610	1	Stainless sliding gutters PGS	Mont.gr. instorttrechter PGS

Pos	item	Article no.	Qty.	Description [EN]	Description [NL]
390		100624	2	Nut M10 kl.8 galv	Moer M10 kl.8 elvz
410		122250	1	Safety sticker guard	Veiligheidssticker beschermkap
420		100155	4	Tap bolt M10x 35 8.8 galv	Tapbout M10x 35 8.8 elvz

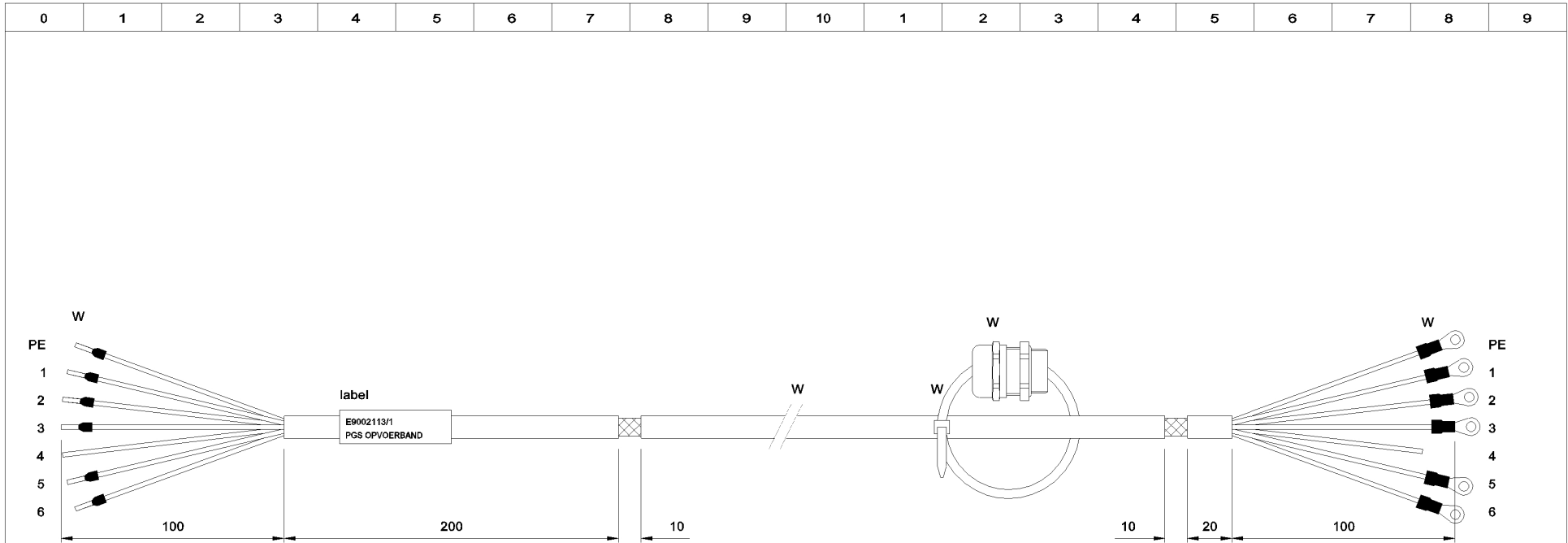


Section A-A

Pos	item	Article no.	Qty.	Description [EN]	Description [NL]
10		31022101	1	Drum	Trommel
20		102134	2	Retaining ring A 25x1.2	Seegerring A 25x1.2
30		105094	2	Ball bearing 6205 2rs	Kogellager 6205 2rs
40		11308220	1	Shaft idling roller	As keertrommel



Pos	item	Article no.	Qty.	Description [EN]	Description [NL]
10		108461	1	Connecting link 1/2"x5/16"	Sluitschakel 1/2"x5/16"
20		200152	1	Roller chain 1/2"x5/16" 87 links	Rollenketting 1/2"x5/16" 87 sch.
30		31025501	1	Chain wheel 1/2"x5/16" z=13 d=19	Kettingwiel 1/2"x5/16" z=13 d=19
40		31025403	1	Chain wheel 1/2"x5/16" z=33 d=20	Kettingwiel 1/2"x5/16" z=33 d=20
60		101019	1	Set screw M 8x 8 hex socket kl.45H galv	Stelschroef M 8x 8 bzk kl.45H elvz
70		101020	1	Set screw M 8x10 hex socket kl.45H galv	Stelschroef M 8x10 bzk kl.45H elvz
80		103232	1	Parallel key 6x 6- 25	Vlakke inlegspie 6x 6- 25
90		E0000010	1	Wiring diagram shaft mounted motor	Aansluitschema opsteekmotor
100		11221270	1	Foot mounted motor 0.18kW 37.5rpm	Voetmotor 0.18kW 37.5rpm as19x40
110		E9002113	1	Cable assembly SPC elevator	Kabelgroep PGS opvoerband



1.0	ST	W	Kabelbundelband 200x3,5 zwart	123557
6.0	ST	W	Adereindhuls 1,5mm ² zwart	123874
6.0	ST	W	Ringkabelschoen 0,5-1,5mm ² -M4 rood	123820
1.0	ST	W	EMC-wartel M20 7-12,5mm	201814
6.0	MT	W	Kabel PVC EMC 7G1,5mm ²	200048



Copyright © Miedema B.V.

Miedema

eng.: EDR	1	22-11-2021
d.d.: 08-02-2018		
scl.: 1 : 2,5		

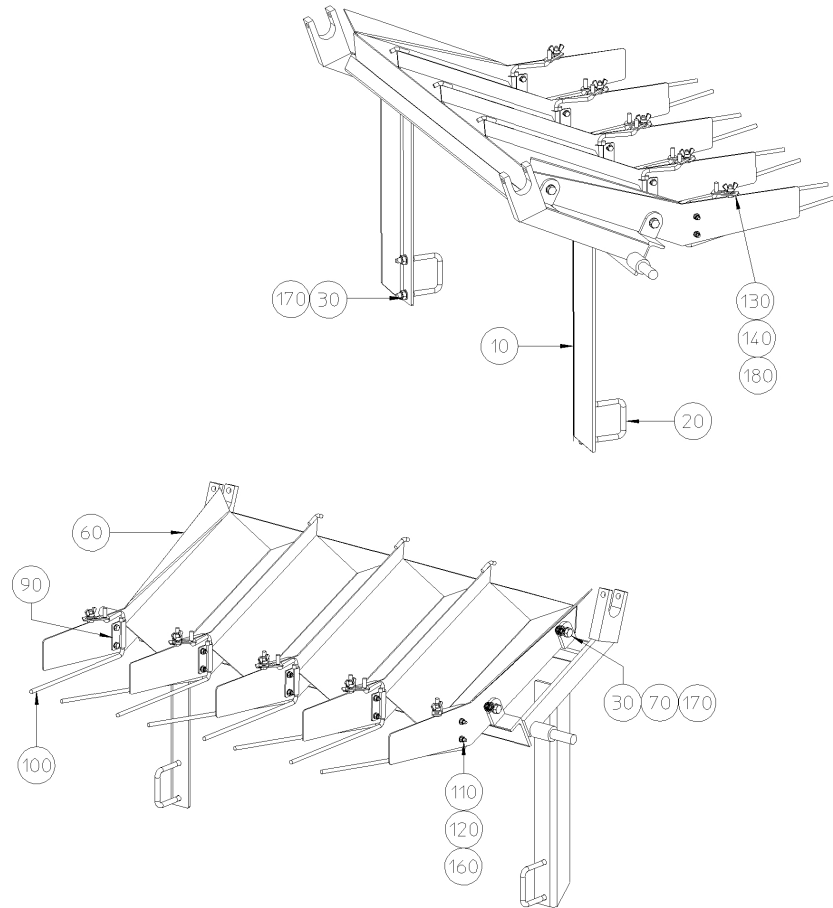
Versillen: 2x draadhuil zwart, 1x ringkabelschoen M5 rood
Toegevoegd: 3x ringkabelschoen M4 rood, kabelbundelband

PGS opvoerband

kabelgroep

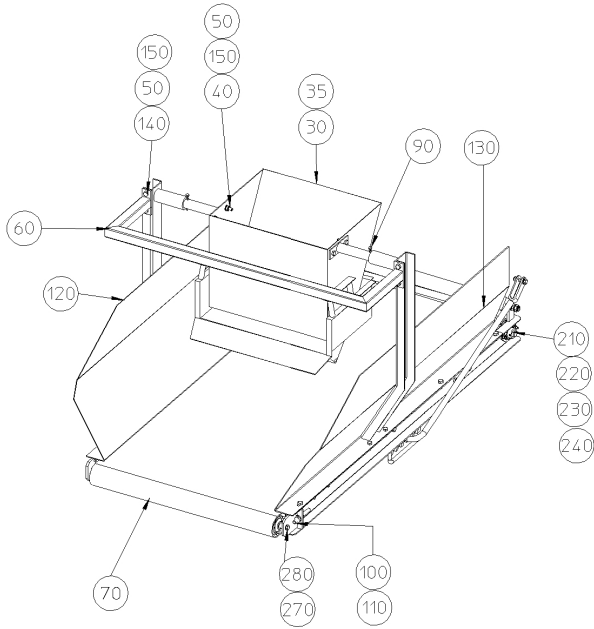
form.: A4	page: 1 of 1
doc.: E900 2113/1	
art.: E900 2113	

Pos	item	Article no.	Qty.	Description [EN]	Description [NL]
10	W	200048	6	Cable PVC EMC 7G1.5mm ²	Kabel PVC EMC 7G1,5mm ²
20	W	201814	1	EMC-gland M20 7-12.5mm	EMC-wartel M20 7-12,5mm
30	W	123820	6	Ring terminal 0.5-1.5mm ² -M4 red	Ringkabelschoen 0,5-1,5mm ² -M4 rood
50	W	123874	6	Ferrule 1.5mm ² black	Adereindhuls 1,5mm ² zwart
60	W	123557	1	Cable tie 200x3.5 black	Kabelbundelband 200x3,5 zwart

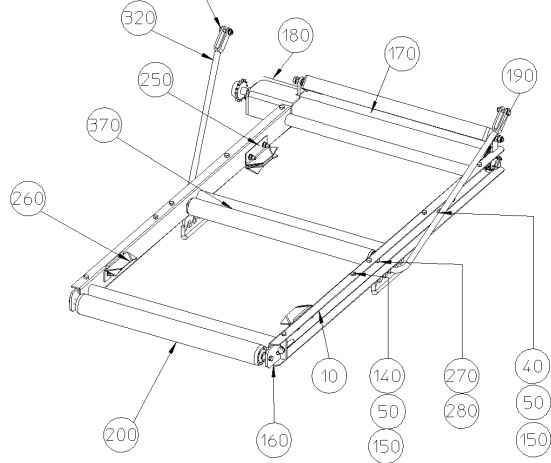


Pos	item	Article no.	Qty.	Description [EN]	Description [NL]
10		A9005541	1	Extension frame PGS	Verlengframe PGS
20		05187901	2	U-bracket M 8 square 50	U-beugel M 8 Vkt-50
30		100652	8	Nyloc nut M 8 kl.8 galv	Nylocmoer M 8 kl.8 elvz
60		A9005580	1	Sliding sheet	Glijgoot
70		100121	4	Tap bolt M 8x 25 8.8 galv	Tapbout M 8x 25 8.8 elvz
90		A9005560	8	Hinge plate	Scharnierplaat
100		A9005550	8	Guide rod	Geleidingsstang
110		100099	10	Tap bolt M 5x 16 8.8 galv	Tapbout M 5x 16 8.8 elvz
120		100650	10	Nyloc nut M 5 kl.8 galv	Nylocmoer M 5 kl.8 elvz
130		A9005570	8	Adjusting plate	Stelplaat
140		100693	5	Wing nut M 6 GT galv	Vleugelmoer M 6 GT elvz
160		102002	20	Washer M 5 galv	Sluitring M 5 elvz
170		102004	12	Washer M 8 galv	Sluitring M 8 elvz
180		203616	5	Washer M 6 SS a4	Sluitring M 6 rvs a4

10885860 - Discharge conveyor with Powder applicator

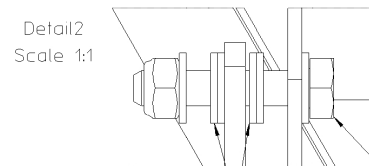
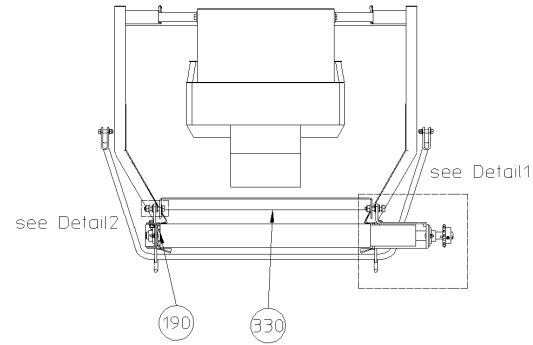


Scale 1:10

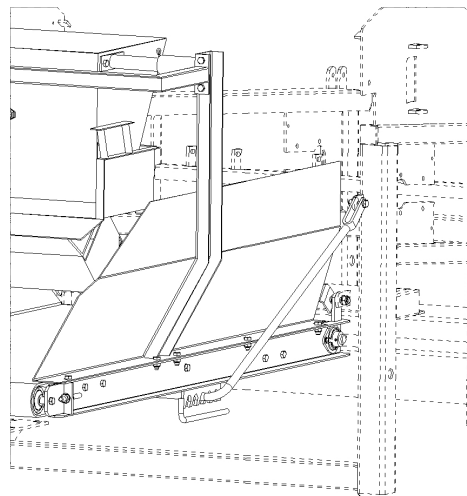
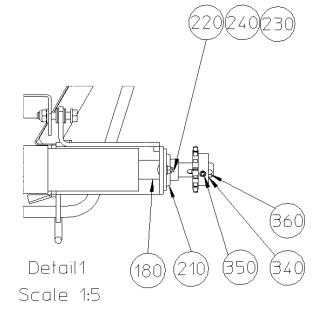


Scale 1:10

div. onderdelen in aanzicht weggelaten



Ten behoeve van speling-vrije montage aan frame

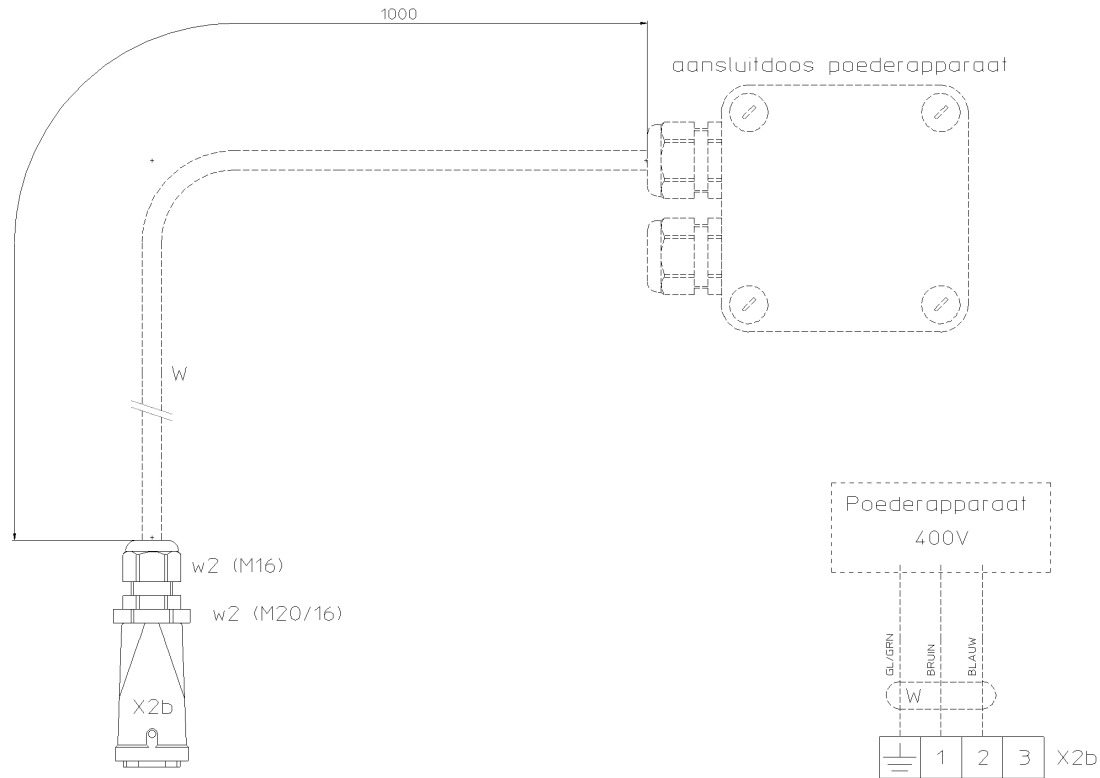


Frame pootgoedsnijder

Pos	item	Article no.	Qty.	Description [EN]	Description [NL]
10		31027901	1	Discharge conveyor frame	Afvoerframe gelast
30		202440	1	Powder applicator, type 42/25 400V	Poederdoseerapparaat type 42/25 400V
35		E9002112	1	<u>Assembly group PGS powder applicator</u>	Montagegroep PGS poederapparaat
40		100121	12	Tap bolt M 8x 25 8.8 galv	Tapbout M 8x 25 8.8 elvz
50		102004	30	Washer M 8 galv	Sluitring M 8 elvz
60		31023001	1	Bracket conveyor belt	Bevestigingsbeugel afvoerband
70		200154	1	Conveyor belt PGS outlet - 2790x600	Transportband PGS afvoerdeel - 2790x600
90		103023	2	Split pin 5x35 galv	Splitpen 5x35 elvz
100		102005	16	Washer M10 galv	Sluitring M10 elvz
110		100624	4	Nut M10 kl.8 galv	Moer M10 kl.8 elvz
120		31022601	1	Side panel right discharge conveyor	Zijschot rechts afvoerband
130		31022602	1	Side panel left discharge belt	Zijschot links afvoerband
140		100120	14	Tap bolt M 8x 20 8.8 galv	Tapbout M 8x 20 8.8 elvz
150		100652	28	Nyloc nut M 8 kl.8 galv	Nylocmoer M 8 kl.8 elvz
160		31011507	2	Tensioner plate	Verstelplaat
170		31028401	1	Drive shaft welded	Aandrijf-as gelast
180		31028505	1	Tube	Buis
190		31010720	1	Tube	Buis
200		107039	1	Support roller ø60 - 610/640 steel galv	Draagrol ø60 - 610/640 staal elvz
210		105492	2	Housing unit RALT 20-FA125.8	Lagerblok flens RALT 20-FA125.8
220		100013	4	Mushroom head bolt M 6x 20 8.8 galv	Slotbout M 6x 20 8.8 elvz
230		100651	4	Nyloc nut M 6 kl.8 galv	Nylocmoer M 6 kl.8 elvz
240		102003	4	Washer M 6 galv	Sluitring M 6 elvz
250		31028701	2	Belt guide welded	Retourbandgeleider gelast
260		31027401	2	Belt guide	Bandgeleiding gelast
270		100119	5	Tap bolt M 8x 16 8.8 galv	Tapbout M 8x 16 8.8 elvz
280		102078	4	Serrated lock washer M 8 galv	Tandveerring M 8 binnenvtanding elvz
290		100158	2	Tap bolt M10x 50 8.8 galv	Tapbout M10x 50 8.8 elvz
300		100358	2	Bolt M 8x 35 8.8 galv	Bout M 8x 35 8.8 elvz
310		100653	2	Nyloc nut M10 kl.8 galv	Nylocmoer M10 kl.8 elvz
320		31022901	1	Discharge conv mounting bracket	Ophangbeugel afvoerband
330		31028801	1	Potato stop strip	Aardappelkeerder
340		108047	1	Chain wheel 1/2"x5/16" z=15 d=20	Kettingwiel 1/2"x5/16" z=15 d=20
350		101022	1	Set screw M 8x16 hex socket kl.45H galv	Stelschroef M 8x16 bzk kl.45H elvz
360		103234	1	Parallel key 6x 6- 30	Vlakke inlegspie 6x 6- 30

Pos	item	Article no.	Qty.	Description [EN]	Description [NL]
370		A0005080	1	Support roller ø50 - 600/620 pvc	Draagrol ø50 - 600/620 pvc

0	1	2	3	4	5	6	7	8	9	10	1	2	3	4	5	6	7	8	9
---	---	---	---	---	---	---	---	---	---	----	---	---	---	---	---	---	---	---	---

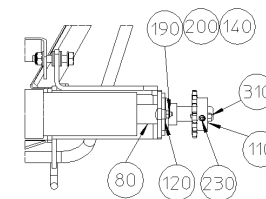
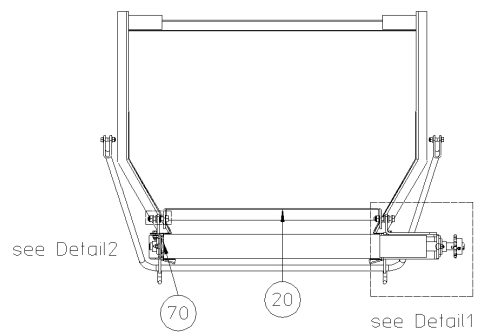
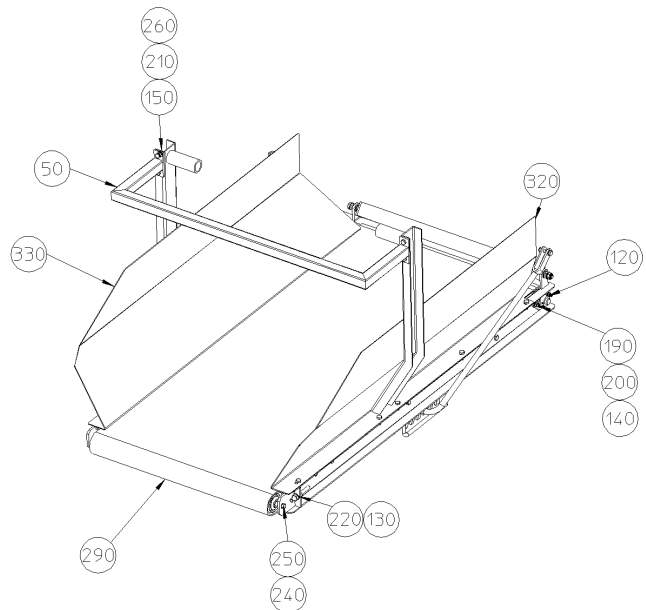


Materiaallijst poederapparaat			
1	w2	Wurgwartel M16 kunststof zwart 4,5-10mm	201799
1	w2	Red.ring M20/16 kunststof zwart	201874
3	w2	Draadhuul 1,0mm² rood	123871
1	X2b	Stekerh.recht 3/4p Contact H-A3MTGVB M20	201703
1	x2b	Binn.werk pen 3p Contact H-A3SS	201706

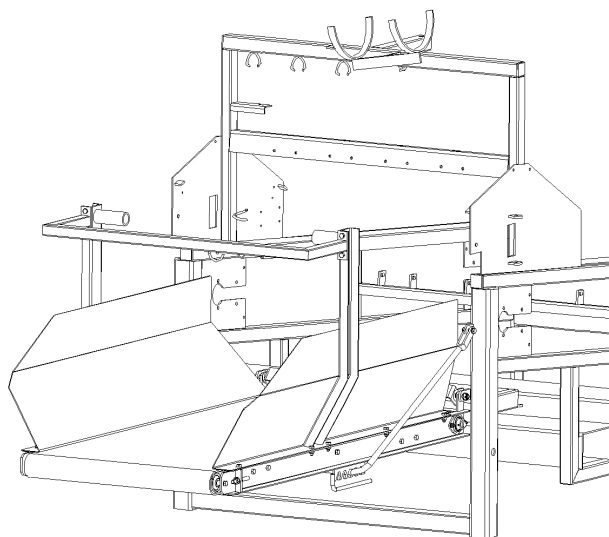
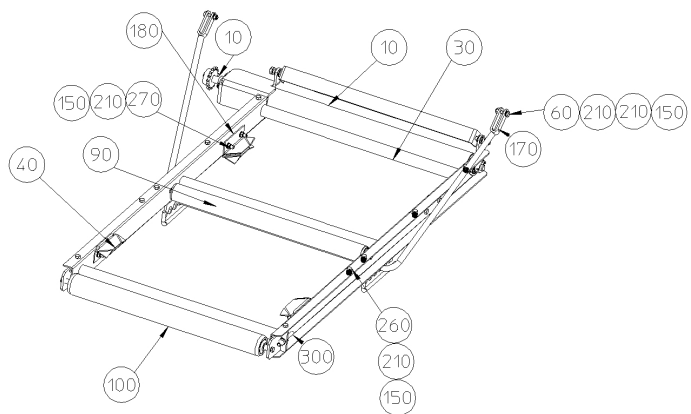
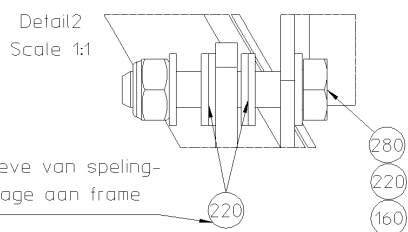
PGS	form.: A4	page: 1 of 1
montage poederapparaat	doc.: E900 2112/0	art.: E900 2112

Pos	item	Article no.	Qty.	Description [EN]	Description [NL]
0	w2	201874	1	Reducing M20/16 plastic black	Reducering M20/16 kunststof zwart
0	w2	201799	1	Gland M16 plastic black 4.5-10mm	Wurgwartel M16 kunststof zwart 4,5-10mm
0	w2	123871	3	Ferrule 1.0mm ² red	Adereindhuls 1,0mm ² rood
0	X2b	201703	1	Connector hood 3/4p top entry	Connectorhuis 3/4p kabelinvoer recht
0	x2b	201706	1	Connector insert male 3p	Connector binnenwerk pen 3p

11178300 - Discharge conveyor without Powder applicator

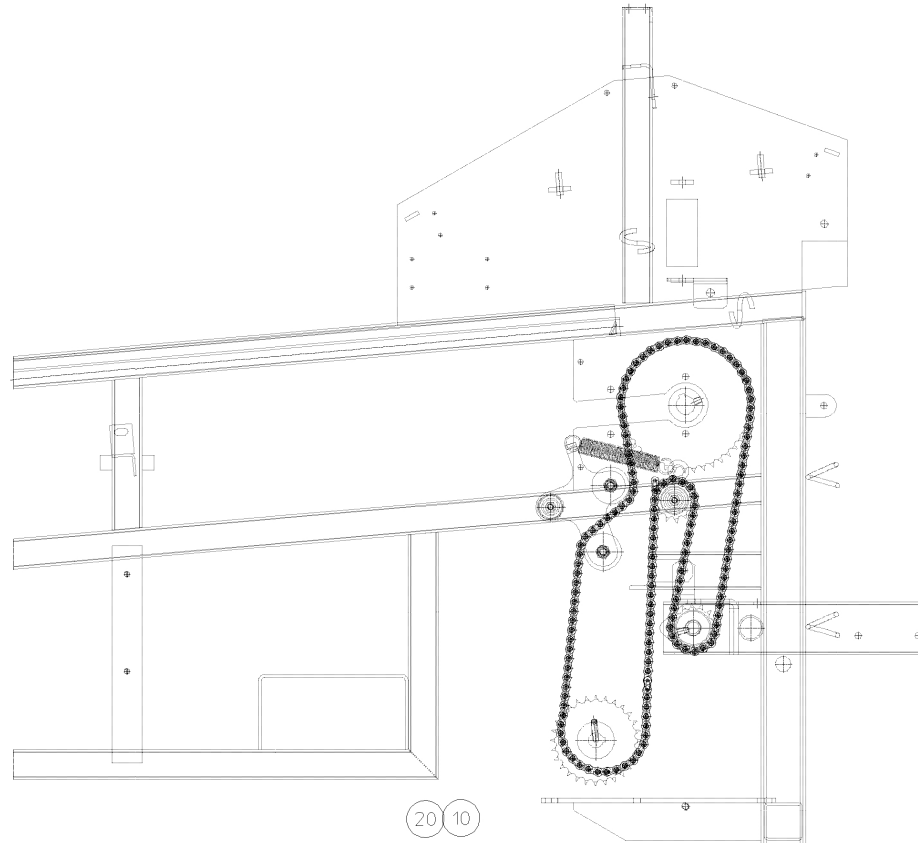


Detail1
Scale 1:5



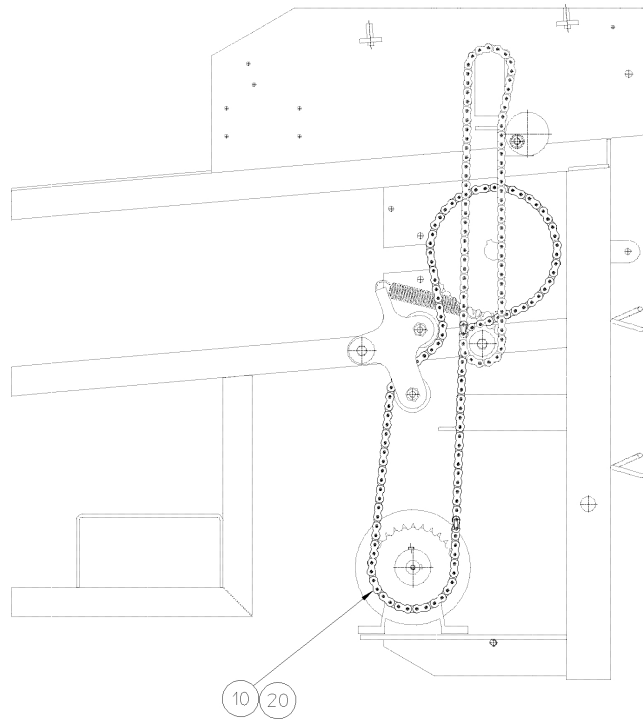
Partial1
Scale 1:10

Pos	item	Article no.	Qty.	Description [EN]	Description [NL]
10		31028401	1	Drive shaft welded	Aandrijf-as gelast
20		31028801	1	Potato stop strip	Aardappelkeerder
30		31027901	1	Discharge conveyor frame	Afvoerframe gelast
40		31027401	2	Belt guide	Bandgeleiding gelast
50		31023001	1	Bracket conveyor belt	Bevestigingsbeugel afvoerband
60		100358	2	Bolt M 8x 35 8.8 galv	Bout M 8x 35 8.8 elvz
70		31010720	1	Tube	Buis
80		31028505	1	Tube	Buis
90		A0005080	1	Support roller ø50 - 600/620 pvc	Draagrol ø50 - 600/620 pvc
100		107039	1	Support roller ø60 - 610/640 steel galv	Draagrol ø60 - 610/640 staal elvz
110		108047	1	Chain wheel 1/2"x5/16" z=15 d=20	Kettingwiel 1/2"x5/16" z=15 d=20
120		105492	2	Housing unit RALT 20-FA125.8	Lagerblok flens RALT 20-FA125.8
130		100624	4	Nut M10 kl.8 galv	Moer M10 kl.8 elvz
140		100651	4	Nyloc nut M 6 kl.8 galv	Nylocmoer M 6 kl.8 elvz
150		100652	24	Nyloc nut M 8 kl.8 galv	Nylocmoer M 8 kl.8 elvz
160		100653	2	Nyloc nut M10 kl.8 galv	Nylocmoer M10 kl.8 elvz
170		31022901	1	Discharge conv mounting bracket	Ophangbeugel afvoerband
180		31028701	2	Belt guide welded	Retourbandgeleider gelast
190		100013	4	Mushroom head bolt M 6x 20 8.8 galv	Slotbout M 6x 20 8.8 elvz
200		102003	4	Washer M 6 galv	Sluitring M 6 elvz
210		102004	26	Washer M 8 galv	Sluitring M 8 elvz
220		102005	16	Washer M10 galv	Sluitring M10 elvz
230		101022	1	Set screw M 8x16 hex socket kl.45H galv	Stelschroef M 8x16 bzk kl.45H elvz
240		102078	4	Serrated lock washer M 8 galv	Tandveerring M 8 binnenvetanding elvz
250		100119	5	Tap bolt M 8x 16 8.8 galv	Tapbout M 8x 16 8.8 elvz
260		100120	14	Tap bolt M 8x 20 8.8 galv	Tapbout M 8x 20 8.8 elvz
270		100121	8	Tap bolt M 8x 25 8.8 galv	Tapbout M 8x 25 8.8 elvz
280		100158	2	Tap bolt M10x 50 8.8 galv	Tapbout M10x 50 8.8 elvz
290		200154	1	Conveyor belt PGS outlet - 2790x600	Transportband PGS afvoerdeel - 2790x600
300		31011507	2	Tensioner plate	Verstelplaat
310		103234	1	Parallel key 6x 6- 30	Vlakke inlegspie 6x 6- 30
320		31022602	1	Side panel left discharge belt	Zijschot links afvoerband
330		31022601	1	Side panel right discharge conveyor	Zijschot rechts afvoerband

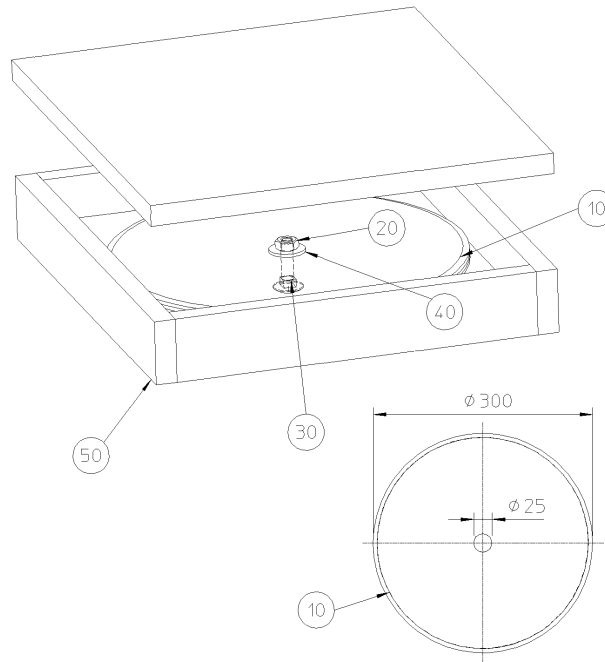


Partial1
Scale 1:5

Pos	item	Article no.	Qty.	Description [EN]	Description [NL]
10		206511	1	Roller chain 1/2"x5/16" 147 links	Rollenketting 1/2"x5/16" 147 sch.
20		108461	1	Connecting link 1/2"x5/16"	Sluitschakel 1/2"x5/16"



Pos	item	Article no.	Qty.	Description [EN]	Description [NL]
10		206512	1	Roller chain 1/2"x5/16" 113 links	Rollenketting 1/2"x5/16" 113 sch.
20		108461	1	Connecting link 1/2"x5/16"	Sluitschakel 1/2"x5/16"



Pos	item	Article no.	Qty.	Description [EN]	Description [NL]
10		118600	4	Circle knife (spare part)	Cirkelmes (extra mes)
20		100624	1	Nut M10 kl.8 galv	Moer M10 kl.8 elvz
30		203563	1	Mushroom head bolt M10x 40 8.8 galv	Slotbout M10x 40 8.8 elvz
40		200369	1	Washer M10 3xd1 galv	Sluitring M10 3xd1 elvz
50		203421	1	Shipping box cutters PGS	Verzendkist snijmessen PGS

Index

Description [EN]	Article no.	Page	Description [EN]	Article no.	Page
Adapter 3/4" PP for bottles 5-60L	205937	35	Bolt M 8x 35 8.8 galv	100358	65
Adjusting plate	31013014	13	Bolt M 8x 35 8.8 galv	100358	71
Adjusting plate	A9005570	63	Bolt M 8x 40 8.8 galv	100359	6
Adjusting ring 25x40x16	102229	13	Bolt M 8x 40 8.8 galv	100359	38
Adjusting ring 25x40x16 galv	201743	31	Bolt M 8x 45 8.8 galv	100360	53
Allen bolt M10x 40 8.8 galv	101142	17	Bolt M 8x 55 8.8 galv	100362	53
Angle profile	31010611	33	Bolt M 8x 65 8.8 galv	100364	53
Angle profile	10083730	41	Bolt M12x 70 8.8 galv	100407	5
Assembly group PGS limit switch	E9001310	5	Bolt M12x 70 8.8 galv	100407	37
Assembly group PGS limit switch	E9001310	37	Box lock double beard 3mm complete	206742	48
Assembly group PGS powder applicator	E9002112	65	Bracket conveyor belt	31023001	65
Autotransformer 3ph 212-240/460V-8.5kVA	204119	48	Bracket conveyor belt	31023001	71
Ball bearing 6205 2rs	105094	57	Brush pvc 2 rows horsehair	118602	15
Base seed potato cutter PGS 4	31020254	2	Brushes and scrapers	31026415	5
Base seed potato cutter PGS 4 extended	11115360	2	Brushes and scrapers	31026415	37
Bearing Bush with collar 20x24x15 nylon	121223	19	CEE plug 3p+N+PE 32A +phase inverter	200230	43
Bearing Bush with collar 20x24x15 nylon	121223	21	Cable PVC 3G0.75mm ²	206419	9
Bearing Bush with collar 20x24x26 nylon	114509	19	Cable PVC 5G2.5mm ²	200664	51
Bearing Bush with collar 20x24x26 nylon	114509	21	Cable PVC EMC 7G1.5mm ²	200048	25
Belt guide	31027401	65	Cable PVC EMC 7G1.5mm ²	200048	61
Belt guide	31027401	71	Cable assembly SPC cutting blades	E9002114	17
Belt guide welded	31028701	65	Cable assembly SPC elevator	E9002113	59
Belt guide welded	31028701	71	Cable assembly incoming supply 16A	E9007810	2
Blind plug M20 plastic black	201803	48	Cable assembly power supply loop cable	E5019710	45
Blind plug M25 plastic black	201806	48	Cable neoprene 5G1.5mm ²	201765	43
Blind rivet 4.0x12 dh al/st	103330	6	Cable neoprene 5G4.0mm ²	201767	48
Blind rivet 4.0x12 dh al/st	103330	37	Cable tie 178x4.8 black	123558	35
Blind rivet 4.8x12 elh ø16 al/st	103360	41	Cable tie 200x3.5 black	123557	25
Blind rivet 4.8x18 elh ø16 al/st	103362	33	Cable tie 200x3.5 black	123557	61
Blind rivet nut round M 8 st galv, 5.5-8mm	100741	53	Cam switch 4p25A 0-1-90° 48x48 +lock	202201	48
Block	31013323	17	Carboy 10 litres, c/w cap	118293	35
Bolt M 5x 50 8.8 galv	100329	13	Chain wheel 1/2"x5/16" z=13 d=19	31025501	59
Bolt M 6x 45 8.8 galv	100343	6	Chain wheel 1/2"x5/16" z=15	108048	13
Bolt M 6x 45 8.8 galv	100343	37	Chain wheel 1/2"x5/16" z=15 d=20	108047	65

Index

Description [EN]	Article no.	Page	Description [EN]	Article no.	Page
Chain wheel 1/2"x5/16" z=15 d=20	108047	71	Cover plate right	11114970	37
Chain wheel 1/2"x5/16" z=28 d=20	11258820	17	DIN rail 35x7,5mm +slot holes l=2m	201459	48
Chain wheel 1/2"x5/16" z=33 d=20	31025403	59	DIN rail end bracket 9.5mm	202158	48
Chain wheel 1/2"x5/16" z=43 d=25	31013308	27	Desinfection lines assy	31026117	6
Chain wheel PGS t=41.7 z=12	A9001450	27	Desinfection lines assy	31026117	37
Chain wheel PGS t=41.7 z=12	A9001470	31	Discharge belt drive	31026001	53
Chain wheel PGS t=41.7 z=12	A9001450	31	Discharge conveyor frame	31027901	65
Chain with option discharge conveyor	10963180	2	Discharge conveyor frame	31027901	71
Chain without option discharge conveyor	10963190	2	Discharge conveyor with Powder applicator	10885860	2
Circle knife (spare part)	118600	13	Discharge conveyor without Powder applicator	11178300	2
Circle knife (spare part)	118600	77	Dischrage conv mounting bracket	31022901	65
Circuit breaker 25A 3p D curve	207181	48	Dischrage conv mounting bracket	31022901	71
Compressed air hose PVC 16.5x1.5 transparent	31026104	35	Drive roller	31021506	53
Connecting link 1/2"x5/16"	108461	17	Drive shaft	31025301	27
Connecting link 1/2"x5/16"	108461	59	Drive shaft assy	31025310	6
Connecting link 1/2"x5/16"	108461	73	Drive shaft assy	31025310	37
Connecting link 1/2"x5/16"	108461	75	Drive shaft welded	31028401	65
Connector hood 3/4p top entry	201703	69	Drive shaft welded	31028401	71
Connector insert male 3p	201706	69	Drum	31022101	57
Conveyor belt PGS inlet - 3180x780	31024001	53	Duplex chain wheel 1/2"x5/16" z=13	31013321	17
Conveyor belt PGS outlet - 2790x600	200154	65	Duplex chain wheel 1/2"x5/16" z=13	31013318	19
Conveyor belt PGS outlet - 2790x600	200154	71	EMC-gland M20 7-12.5mm	201814	25
Cover	31010419	11	EMC-gland M20 7-12.5mm	201814	61
Cover knives front	31026201	5	Ejector plate	A9006870	29
Cover knives front	31026201	37	Ejector star complete PGS	31025604	27
Cover knives rear	31026301	5	Enclosure switchbox MC transformer	11164800	48
Cover knives rear	31026301	37	End plate for DIN rail terminal 2,5mm ² 1-1	200609	48
Cover plate drive	31024501	5	End plate for DIN rail terminal 4mm ² 1-1	202004	48
Cover plate drive	31024501	37	Exhaust filter IP54 92x92	203534	48
Cover plate drive motor	11221750	5	Extension frame PGS	A9005541	63
Cover plate drive motor	11221750	37	Feed-through DIN rail terminal 2,5mm ² 1-1	200606	48
Cover plate left	11114980	37	Feed-through DIN rail terminal 4mm ² 1-1	202002	48
Cover plate right	A9001172	6	Female / female reducer nipple G 3/4" - G 1/2"	205191	35
Cover plate right	A9001182	6	Ferrule 0.5mm ² white	202381	23

Index

Description [EN]	Article no.	Page	Description [EN]	Article no.	Page
Ferrule 0.75mm ² grey	200179	9	Input conveyor frame	31021009	53
Ferrule 1.0mm ² red	123871	69	Input hopper welded	31025805	53
Ferrule 1.5mm ² black	123874	25	Intermediate frame PGS	31022307	53
Ferrule 1.5mm ² black	123874	43	Limit switch with roller lever NC/NO	200467	9
Ferrule 1.5mm ² black	123874	61	Locking pin	31010604	5
Ferrule 2.5mm ² blue	123872	51	Locking pin	31010604	37
Fixed castor ø200 polyurethaan	206000	5	Locking ring	31010107	13
Fixed castor ø200 polyurethaan	206000	37	Motor bracket	11221290	53
Foot mounted motor 0.18kW 37.5rpm	11221270	59	Mouning plate front	31025003	5
Foot mounted motor 0.55kW 44rpm	11259000	17	Mouning plate front	31025003	37
Gardena connector g 1/4	113708	35	Mouning plate rear	31025203	5
Gardena waterstop 1/2"	113709	35	Mouning plate rear	31025203	37
Gland M16 plastic black 4.5-10mm	201799	9	Mounting plate 380x 380	11120860	48
Gland M16 plastic black 4.5-10mm	201799	69	Mudwing repair washer M 5x20 galv	102034	15
Gland M25 plastic black 9-17mm	201805	48	Mushroom head bolt M 5x 20 8.8 galv	100002	15
Gland M32 plastic black 11-21mm	201808	48	Mushroom head bolt M 5x 25 8.8 galv	100003	15
Gland nut M20 plastic black	201804	48	Mushroom head bolt M 6x 16 8.8 galv	100012	53
Gland nut M25 plastic black	201807	48	Mushroom head bolt M 6x 20 8.8 galv	100013	65
Gland nut M32 plastic black	201810	48	Mushroom head bolt M 6x 20 8.8 galv	100013	71
Guide rod	A9005550	63	Mushroom head bolt M 8x 20 8.8 galv	100027	27
Gutter	31011414	15	Mushroom head bolt M 8x 25 8.8 galv	100028	31
Gutter frame	31023903	15	Mushroom head bolt M 8x 60 8.8 galv	100035	45
Hinge plate	A9005560	63	Mushroom head bolt M10x 40 8.8 galv	203563	77
Hollow pin chain 41,75 120 links galv +conn. link	202937	37	Nut M 4 brass	100714	5
Hollow pin chain 41,75 84 links galv +conn. link	108611	5	Nut M 4 brass	100714	37
Hose pillar 1/2" male thread. bore 10mm HDPE	200156	35	Nut M 5 kl.8 galv	100621	15
Hose pillar 1/4" male thread x 6mm	110043	35	Nut M 8 kl.8 galv	100623	13
Housing unit RALT 20-FA125.8	105492	53	Nut M10 kl.8 galv	100624	31
Housing unit RALT 20-FA125.8	105492	65	Nut M10 kl.8 galv	100624	54
Housing unit RALT 20-FA125.8	105492	71	Nut M10 kl.8 galv	100624	65
Housing unit RAT 25	105489	27	Nut M10 kl.8 galv	100624	71
Housing unit RAT 25	105489	31	Nut M10 kl.8 galv	100624	77
Hydraulic tube 6mm	31026115	35	Nut M16 kl.8 galv	100627	53
Input conveyor	31020101	2	Nyloc nut M 5 kl.8 galv	100650	13

Index

Description [EN]	Article no.	Page	Description [EN]	Article no.	Page
Nyloc nut M 5 kl.8 galv	100650	63	PIN plate MACHINE No.	A0002830	38
Nyloc nut M 6 kl.8 galv	100651	6	Parallel key 6x 6- 25	103232	59
Nyloc nut M 6 kl.8 galv	100651	15	Parallel key 6x 6- 30	103234	65
Nyloc nut M 6 kl.8 galv	100651	29	Parallel key 6x 6- 30	103234	71
Nyloc nut M 6 kl.8 galv	100651	37	Parallel key 8x 7- 25	103246	13
Nyloc nut M 6 kl.8 galv	100651	53	Parallel key 8x 7- 32	103248	27
Nyloc nut M 6 kl.8 galv	100651	65	Parallel key 8x 7- 32	103248	31
Nyloc nut M 6 kl.8 galv	100651	71	Pictogram 'Miedema'	E4954602	48
Nyloc nut M 8 kl.8 galv	100652	5	Plate	11253490	45
Nyloc nut M 8 kl.8 galv	100652	15	Potato stop strip	31028801	65
Nyloc nut M 8 kl.8 galv	100652	27	Potato stop strip	31028801	71
Nyloc nut M 8 kl.8 galv	100652	31	Powder applicator, type 42/25 400V	202440	65
Nyloc nut M 8 kl.8 galv	100652	37	Pressure disc	31010110	13
Nyloc nut M 8 kl.8 galv	100652	45	Pressure gauge coupling MAVL 16 R1/4 galv	113715	35
Nyloc nut M 8 kl.8 galv	100652	53	Protection cover back	31026601	53
Nyloc nut M 8 kl.8 galv	100652	63	Protection cover drive	31024101	53
Nyloc nut M 8 kl.8 galv	100652	65	Pushbar	31013013	13
Nyloc nut M 8 kl.8 galv	100652	71	Reducing M20/16 plastic black	201874	9
Nyloc nut M10 kl.8 galv	100653	5	Reducing M20/16 plastic black	201874	69
Nyloc nut M10 kl.8 galv	100653	17	Retaining ring A 25x1.2	102134	57
Nyloc nut M10 kl.8 galv	100653	31	Return roller	31021805	53
Nyloc nut M10 kl.8 galv	100653	37	Return shaft	31025317	6
Nyloc nut M10 kl.8 galv	100653	53	Return shaft	31025314	31
Nyloc nut M10 kl.8 galv	100653	65	Return shaft	31025317	37
Nyloc nut M10 kl.8 galv	100653	71	Ring terminal 0.5-1.5mm ² -M4 red	123820	25
Nyloc nut M12 kl.8 galv	100654	5	Ring terminal 0.5-1.5mm ² -M4 red	123820	61
Nyloc nut M12 kl.8 galv	100654	37	Ring ø35.5 / 9 - 6	07131816	17
Nylon block	31013003	13	Roller chain 1/2"x5/16" 113 links	206512	75
Nylon disc	31010111	13	Roller chain 1/2"x5/16" 147 links	206511	73
Nylon roller	31012421	17	Roller chain 1/2"x5/16" 71 links	108518	17
Oil dropper 2 connections	118291	35	Roller chain 1/2"x5/16" 87 links	200152	59
PE conductor DIN rail terminal 2,5mm ² 1-1	200608	48	Roller conveyor drive complete	31025331	6
PE conductor DIN rail terminal 4mm ² 1-1	202003	48	Roller conveyor drive complete	31025331	37
PIN plate MACHINE No.	A0002830	6	Roller conveyor frame	31020942	6

Index

Description [EN]	Article no.	Page	Description [EN]	Article no.	Page
Roller conveyor frame	11115150	37	Shaft with knives	31025918	5
Roller cup for PGS	120905	11	Shaft with knives	31025918	37
Rubber	31014001	33	Shipping box cutters PGS	203421	77
Rubber	10083740	41	Side panel left discharge belt	31022602	65
Safety sticker cutting knives	36160303	6	Side panel left discharge belt	31022602	71
Safety sticker cutting knives	36160303	38	Side panel right discharge conveyor	31022601	65
Safety sticker electric	122254	6	Side panel right discharge conveyor	31022601	71
Safety sticker electric	122254	38	Singulator roller PGS	31020604	5
Safety sticker general	122248	6	Singulator roller PGS	31020604	37
Safety sticker general	122248	38	Sliding block	A9005510	6
Safety sticker guard	122250	6	Sliding block	A9005510	37
Safety sticker guard	122250	38	Sliding sheet	A9005580	63
Safety sticker guard	122250	54	Slotted cheese head screw M 4x 16 4.8 galv	101263	35
Scraper PGS	31011408	15	Slotted cheese head screw M 4x 55 4.8 galv	202933	5
Serrated lock washer M 4 galv	102080	5	Slotted cheese head screw M 4x 55 4.8 galv	202933	37
Serrated lock washer M 4 galv	102080	35	Solenoid valve 1/4", 24Vac	A0003320	35
Serrated lock washer M 4 galv	102080	38	Spacer bush	31010112	13
Serrated lock washer M 8 galv	102078	53	Split pin 5x35 galv	103023	65
Serrated lock washer M 8 galv	102078	65	Spring cotter pin double 4.5 (=4mm) galv	104102	5
Serrated lock washer M 8 galv	102078	71	Spring cotter pin double 4.5 (=4mm) galv	104102	37
Serrated lock washer M10 galv	102084	17	Square tube	31023601	53
Set of (extra) circle knives for PGS (4x)	10941070	2	Square tube	A9005641	53
Set screw M 6x10 hex socket kl.45H galv	101010	13	Stainless sliding gutters PGS	A9005610	53
Set screw M 8x 8 hex socket kl.45H galv	101019	59	Stainless steel shaft	31020701	11
Set screw M 8x10 hex socket kl.45H galv	101020	29	Steel star pgs	31011906	29
Set screw M 8x10 hex socket kl.45H galv	101020	59	Sticker Miedema PGS	11060180	6
Set screw M 8x12 hex socket kl.45H galv	101021	27	Sticker Miedema PGS	11060180	38
Set screw M 8x16 hex socket kl.45H galv	101022	65	Sticker PGS	A0009760	6
Set screw M 8x16 hex socket kl.45H galv	101022	71	Sticker PGS	A0009760	38
Set screw M 8x20 hex socket kl.45H galv	101023	27	Sticker dangerous voltage 50x50x50	200579	48
Set screw M 8x20 hex socket kl.45H galv	101023	31	Sticker logo round 432	11060230	6
Set screw M 8x30 hex socket kl.45H galv	101025	17	Sticker logo round 432	11060230	38
Shaft for cutting knives	31025701	13	Strip	10083760	38
Shaft idling roller	11308220	57	Strip	11253500	45

Index

Description [EN]	Article no.	Page	Description [EN]	Article no.	Page
Strip PGS	31010421	5	Tap bolt M 8x 20 8.8 galv	100120	5
Strip for suspension frame	31027001	53	Tap bolt M 8x 20 8.8 galv	100120	38
Support	31010633	6	Tap bolt M 8x 20 8.8 galv	100120	53
Support	10083750	37	Tap bolt M 8x 20 8.8 galv	100120	65
Support frame	31011407	15	Tap bolt M 8x 20 8.8 galv	100120	71
Support leg PGS	31010603	5	Tap bolt M 8x 25 8.8 galv	100121	5
Support leg PGS	31010603	37	Tap bolt M 8x 25 8.8 galv	100121	38
Support profile front	31024704	5	Tap bolt M 8x 25 8.8 galv	100121	53
Support profile front	31024704	38	Tap bolt M 8x 25 8.8 galv	100121	63
Support profile rear	31025104	5	Tap bolt M 8x 25 8.8 galv	100121	65
Support profile rear	31025104	38	Tap bolt M 8x 25 8.8 galv	100121	71
Support roller ø50 - 600/620 pvc	A0005080	53	Tap bolt M 8x 30 8.8 galv	100122	38
Support roller ø50 - 600/620 pvc	A0005080	66	Tap bolt M 8x 30 8.8 galv	100122	48
Support roller ø50 - 600/620 pvc	A0005080	71	Tap bolt M 8x 70 8.8 galv	100130	13
Support roller ø60 - 610/640 steel galv	107039	65	Tap bolt M10x 25 8.8 galv	100153	53
Support roller ø60 - 610/640 steel galv	107039	71	Tap bolt M10x 30 8.8 galv	100154	5
Switchbox 200-220V / 50Hz / 3~ PGS	11253480	2	Tap bolt M10x 30 8.8 galv	100154	38
Switchbox Seed potato cutter	E9007801	6	Tap bolt M10x 35 8.8 galv	100155	54
Switchbox Seed potato cutter	E9007801	38	Tap bolt M10x 50 8.8 galv	100158	65
Switchbox mounting frame	A9006891	5	Tap bolt M10x 50 8.8 galv	100158	71
Switchbox mounting frame	A9006891	37	Tap bolt M10x130 8.8 galv	200541	31
Switchbox transformer 8.5kVA 200-240V 50/60Hz	E2002501	45	Tension spring 100x20x2	104040	17
Swivel wheel braked ø200 polyurethaan 700kg	205997	5	Tensioner	31021903	53
Swivel wheel braked ø200 polyurethaan 700kg	205997	38	Tensioner frame	310124A	21
T-connector PP 6 mm (nominal)	111463	35	Tensioner frame PGS	31012420	17
Tap bolt M 5x 16 8.8 galv	100099	63	Tensioner plate	11167430	31
Tap bolt M 6x 20 8.8 galv	100106	6	Tensioner plate	31011507	65
Tap bolt M 6x 20 8.8 galv	100106	15	Tensioner plate	31011507	71
Tap bolt M 6x 20 8.8 galv	100106	38	Terminal block 6mm ² 12p	123571	23
Tap bolt M 6x 25 8.8 galv	100107	29	Terminal block 6mm ² 12p	123571	23
Tap bolt M 8x 16 8.8 galv	100119	17	Terminal strip marker carrier	206301	48
Tap bolt M 8x 16 8.8 galv	100119	53	Transparent plastic hose	31026108	35
Tap bolt M 8x 16 8.8 galv	100119	65	Transparent plastic hose	31026107	35
Tap bolt M 8x 16 8.8 galv	100119	71	Tube	31028505	65

Index

Description [EN]	Article no.	Page	Description [EN]	Article no.	Page
Tube	31010720	65	Washer M10 galv	102005	53
Tube	31010720	71	Washer M10 galv	102005	65
Tube	31028505	71	Washer M10 galv	102005	71
U-bracket M 8 square 50	05187901	63	Washer M12 galv	102006	5
Washer M 4 galv	102001	5	Washer M12 galv	102006	38
Washer M 4 galv	102001	37	Washer M16 galv	102008	53
Washer M 5 galv	102002	13	Wing nut M 5 GT galv	100692	15
Washer M 5 galv	102002	15	Wing nut M 6 GT galv	100693	63
Washer M 5 galv	102002	63	Wiring diagram shaft mounted motor	E0000010	17
Washer M 6 3xd1 galv	202185	29	Wiring diagram shaft mounted motor	E0000010	59
Washer M 6 SS a4	203616	63			
Washer M 6 galv	102003	6			
Washer M 6 galv	102003	15			
Washer M 6 galv	102003	38			
Washer M 6 galv	102003	53			
Washer M 6 galv	102003	65			
Washer M 6 galv	102003	71			
Washer M 8 3xd1 galv	200363	5			
Washer M 8 3xd1 galv	200363	38			
Washer M 8 galv	102004	5			
Washer M 8 galv	102004	13			
Washer M 8 galv	102004	15			
Washer M 8 galv	102004	27			
Washer M 8 galv	102004	31			
Washer M 8 galv	102004	38			
Washer M 8 galv	102004	45			
Washer M 8 galv	102004	53			
Washer M 8 galv	102004	63			
Washer M 8 galv	102004	65			
Washer M 8 galv	102004	71			
Washer M10 3xd1 galv	200369	77			
Washer M10 galv	102005	5			
Washer M10 galv	102005	31			
Washer M10 galv	102005	38			